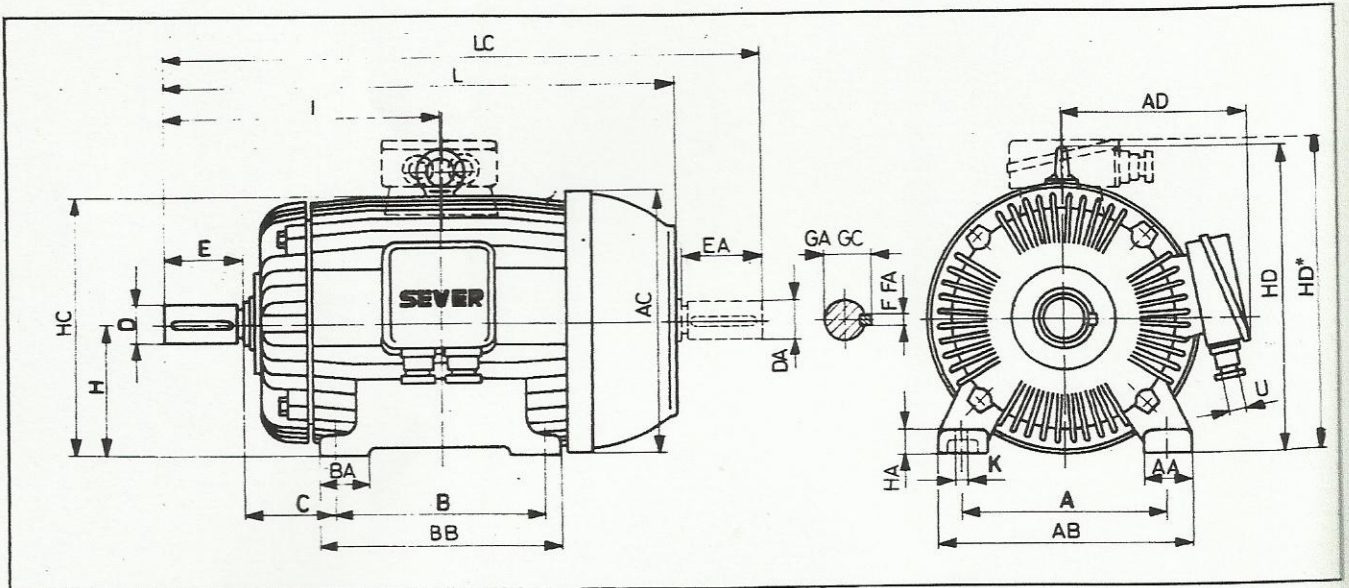


Oblik: B3

Zaštita: IP44

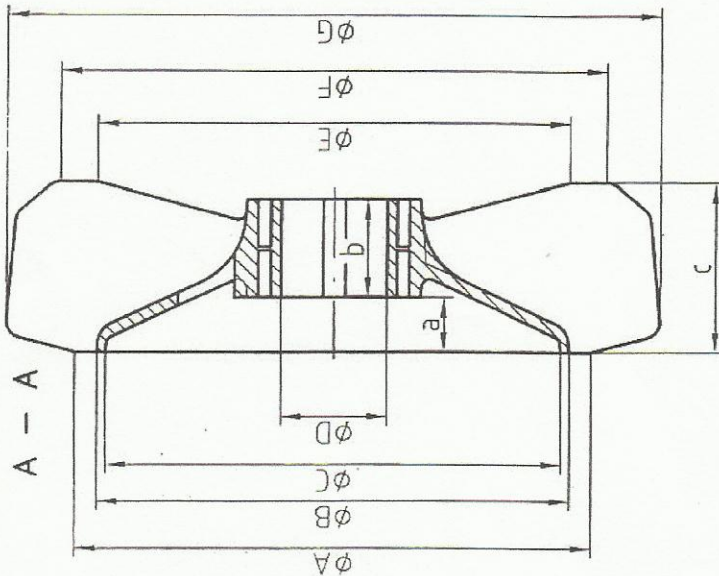
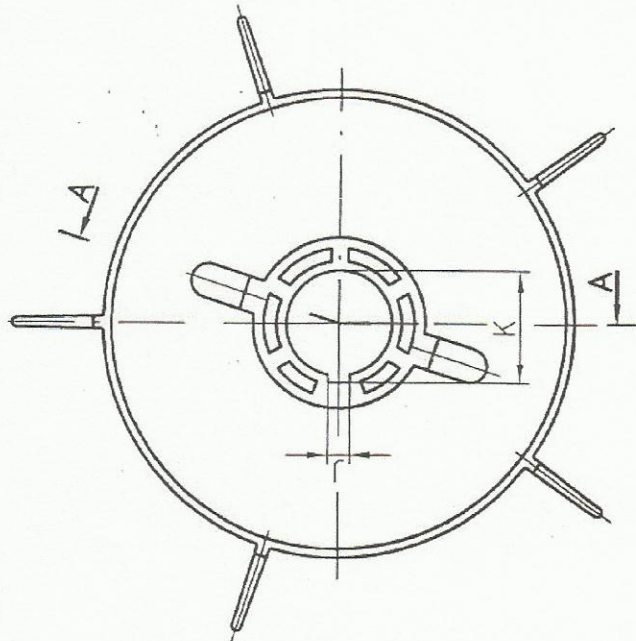


Sve mere date su u milimetrima

Tip motora	Broj polova	A	AA	AB	AC	AD	B	BA	BB	C	D	DA	E	EA	F	FA	GA	GC	H	HA	HC	HD*	HD	I	K	L	LC	U				
ZK 71	2...8	112	35	142	139	120	90	33	114	45	14	11	30	23	5	4	16	12,5	71	10	139	191*	120	7	241	267	267	AU 13,5x13				
ZK 80	2...8	125	41	155	157	130	100	40	130	50	19	14	40	30	6	5	21,5	16	80	11	156	210*	140	10	271	304	304	AU 13,5x13				
ZK 90 S	2...8	140	40	180	178	160	100	40	130	56	24	24	50	50	8	8	27	27	90	15	178	250*	156	10	300	356	356	AU 13,5x13				
ZK 90 L	2...8	140	40	180	178	160	125	40	155	56	24	24	50	50	8	8	27	27	90	15	178	168,5	156	10	325	381	381	AU 13,5x13				
ZK 100 L	2...8	160	44	204	198	174	140	48	175	63	28	28	60	60	8	8	31	31	100	16	198	274*	193	12	370	438	438	AU 13,5x13				
ZK 100 Ld	4:8	160	44	204	198	174	140	48	175	63	28	28	60	60	8	8	31	31	100	16	198	274*	193	12	370	438	438	AU 13,5x13				
ZK 112 M	2...8	190	46	236	222	199	140	48	175	70	28	28	60	60	8	8	31	31	112	20	222	311	200	12	377	445	445	AU 21 x20				
ZK 132 Sk	2						140		180														239		441	529						
ZK 132 S	2...8	216	55	271	260	214		52		89	38	38	80	80	10	10	41	41	132	22	261	307		12				AU 21 x20				
ZK 132 Mk	6						178		218														258		479	567						
ZK 132 M	4...8																															
ZK 160 Mk	2;8						210		260																							
ZK 160 M	2...8	254	60	314	318	258		67		108	42	42	110	110	12	12	45	45	160	25	315	368	323	15	589	709	709	AU 29 x29				
ZK 160 L	2...8	254	60	314	318	258	254	67	304														345		633	753						
ZK 180 M	2;4	279	70	349	354	278	241	82	296														351,5	15	652	772						
ZK 180 L	4...8	279	70	349	354	278	279	82	334														370,5	15	690	810						
ZK 200 Lk	2;6	318	80	398	395	314	305	95	375	133	55	55	110	110	16	16	59	59	200	35	398	460	395,5	19	756	876						
ZK 200 L	2...12	318	80	398	395	314	305	95	375	133	55	55	110	110	16	16	59	59	200	35	398	460	395,5	19	756	876						
ZK 225 S	4;8;10;12						286		355														432		805	960						
ZK 225 M	2	356	90	446	444	342	311	110	380	149	55	55	110	110	16	16	59	59	225	40	447	509	414,5	19	800	925						
ZK 225 M	4...12	356	90	446	444	342	311	110	380	149	55	55	110	110	16	16	59	59	225	40	447	509	414,5	19	800	925						
ZK 250 M	2	406	100	506	490	368	349	120	430	168	60	60	140	140	18	18	64	64	250	40	497	568	482,5	24	906	1061						
ZK 250 M	4...12	406	100	506	490	368	349	120	430	168	65	65	140	140	18	18	64	64	250	40	497	568	482,5	24	906	1061						
ZK 280 S	2						368		450																	973	1128					
ZK 280 S	4...12	457	110	567	537	395		135		190															539,5	24	1024	1179				
ZK 280 M	2						419		500																							
ZK 280 M	4...12																															
ZK 315 S	2						406		500																		1072	1232				
ZK 315 S	4...12																										1102	1292				
ZK 315 M	2	508	125	633	598	447		150		216																1123	1283					
ZK 315 M	4...12	508	125	633	598	447		150		216																	1153	1343				
ZK 315 Md	6...12	508	125	633	598	447		150		216																						
ZK 355 Mk	2										70	70	140	140	20	20	74,5	74,5					674		28	1312	1472			kabelska glava		
ZK 355 M	2										70	70	140	140	20	20	74,5	74,5					674		28	1312	1472			kabelska glava		
ZK 355 Mk	6...12	610	140	750	688	580	560	140	660	254	90	90	170	170	25	25	95	95	355	50	695	823	704			1342	1532			kabelska glava		
ZK 355 M	4...12	610	140	750	688	580	560	140	660	254	90	90	170	170	25	25	95	95	355	50	695	823	704			1342	1532			kabelska glava		
ZK 355 Md	4...12	610	140	750	688	580	560	140	660	254	90	90	170	170	25	25	95	95	355	50	695	823	704			1342	1532			kabelska glava		

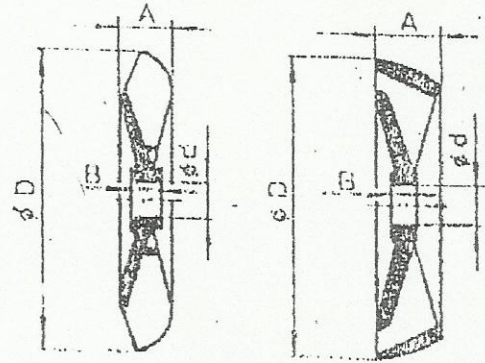
* Položaj izvodnice na gore do veličine 112 u siluminskoj izvedbi

Tip	Broj krištica vent.
1.ZK160 2p=2	5x72°
1.ZK160 2p=4-8	7x51°26'
1.KZK160 2p=2	5x72°
1.KZK160 2p=4-8	7x51°26'
1.ZK180 2p=2	5x72°
1.ZK180 2p=4-8	9x40°
1.KZK180 2p=2	-
1.KZK180 2p=4-8	9x40°
1.ZK200 2p=2	5x72°
1.ZK200 2p=4-8	9x40°
1.KZK200 2p=2	-
1.KZK200 2p=4-8	9x40°



Tip	Symbol	φA	φB	φC	φD	φE	φF	φG	J	K	a	b	c	Br. crt. vent.	IDS vent.	Materijal
1.ZK160 2p=2	-	176	169	45	208	225	8	48.3	17	35	58	112.3.03290	3315413	plastika		
1.ZK160 2p=4-8	-	180	171	45	208	225	8	48.3	17	35	58	111.3.03144	3380060	silumin		
1.ZK160 2p=4-8	-	176	169	45	218	228	8	48.3	17	35	60	112.2.01671	3206752	plastika		
1.ZK160 2p=4-8	-	185	176	45	218	228	8	48.3	17	35	60	111.2.01341	3380078	silumin		
1.KZK160 2p=2	-	176	169	42	208	225	8	45.3	17	35	58	112.3.04932	3661279	plastika		
1.KZK160 2p=4-8	-	176	169	42	218	228	8	45.3	17	35	60	112.2.02468	3661287	plastika		
1.KZK160 2p=4-8	-	185	176	42	218	228	8	45.3	17	35	60	111.2.01348	3387099	silumin		
1.ZK180 2p=2	-	170	160	49	-	170	8	51.3	23	35	56	111.3.06186	5217187	silumin		
1.ZK180 2p=4-8	228	210	202	49	216	244	292	8	53.3	25	35	69	112.2.01716	3531183	plastika	
1.ZK180 2p=4-8	228	200	191	49	216	244	292	8	52.3	25	35	69	111.3.02528	1816008	silumin	
1.KZK180 2p=4-8	228	210	202	40	216	244	292	8	43.3	25	35	69	112.2.02469	3661295	plastika	
1.KZK180 2p=4-8	228	200	191	40	216	244	292	8	43.3	25	35	69	111.4.02028	3346020	silumin	
1.ZK200 2p=2	-	182	170	58	-	182	8	61.3	13	39	60	111.3.06188	5217203	silumin		
1.ZK200 2p=4-8	260	226	218	58	260	300	334	8	61.7	25	39	84	112.3.04886	3649803	plastika	
1.ZK200 2p=4-8	260	226	216	58	260	300	334	8	61.3	25	39	84	111.3.02494	1809284	silumin	
1.KZK200 2p=4-8	260	226	218	40	260	300	334	8	43.3	25	39	84	112.3.04933	3661303	plastika	
1.KZK200 2p=4-8	260	226	216	40	260	300	334	8	43.3	25	39	84	111.3.04933	3661303	plastika	

VENTILATOR



Primer za porudžbinu

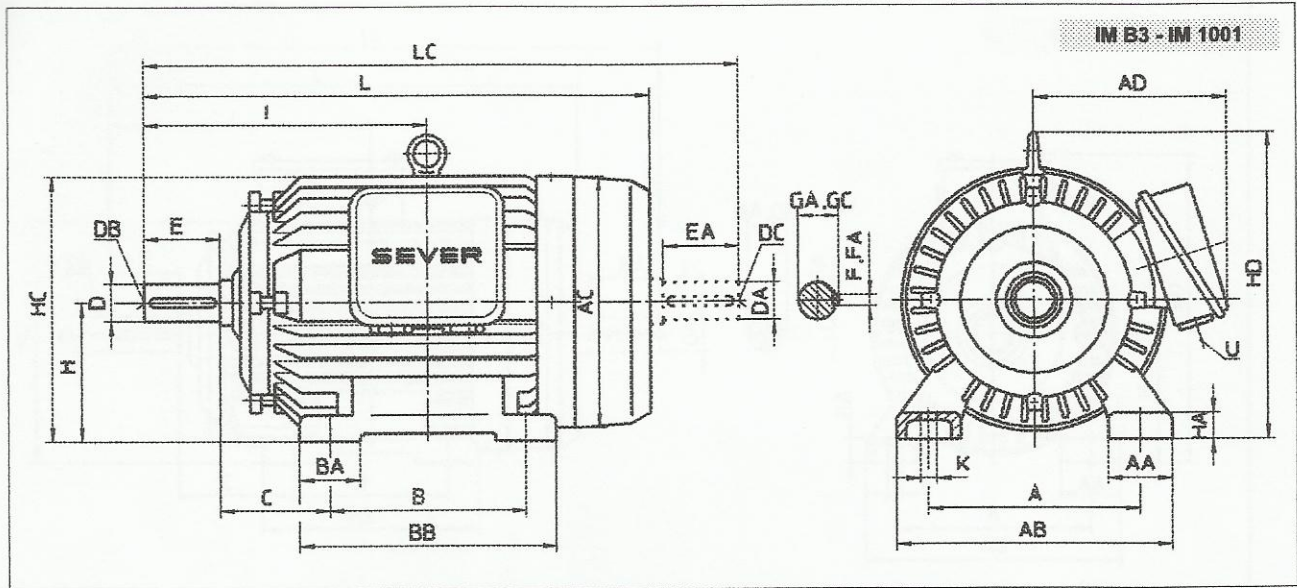
ZK 100	Plast	112.3.0038	462687
Tip motora	Tip vent.	Br. crteža	Šifra

- Plastični
- Siluminski

Teški

Tip motora	Tip ventilatora	A	B	$\varnothing d$	$\varnothing D$	Br. crteža	Šifra
ZK 90	Teški ventilator (Sivi liv)	34	20	22	166	112.3.1288	718867
ZK 100		43	18,5	24,5	188	112.3.1027	721648
ZK 112		42,5	23	24,5	206	112.2.0605	334234
ZK 132		49	31	35	237	112.2.0567	332739
ZK 90	Plastični ventilator	33,5	20	24,5	155	112.3.0017	460018
ZK 100		41	18,5	29	181	112.3.0038	462687
ZK 112		43	23	29	200	112.3.0055	464111
ZK 132		49	31	38	231	112.2.0119	484998
ZK 160	Siluminski ventilator	64	35	48	264	111.3.0054	480033
					286	111.3.0055	480105
ZK 180		66	35	53	320	111.2.0045	528408
					295	111.2.0046	483437
ZK 200		67	39	58	325	111.2.0127	443603
					358	111.2.0128	443618
ZK 225		64	47	63	300	111.2.0075	520365
					403	111.2.0075	520370
		84			443	111.2.0095	528374
ZK 250		70	50	68	370	111.2.0096	528369
					285	111.2.0097	528355
ZK 280		91	50	78	492	111.2.0109	444710
	350				111.3.0151	444705	
ZK 315	100	55	83	—	111.2.0133	447043	
				417	111.3.0407	445903	
ZK 355	108	70	93	623	111.2.0170	436439	
				—	111.2.0153	454443	

BEVLK

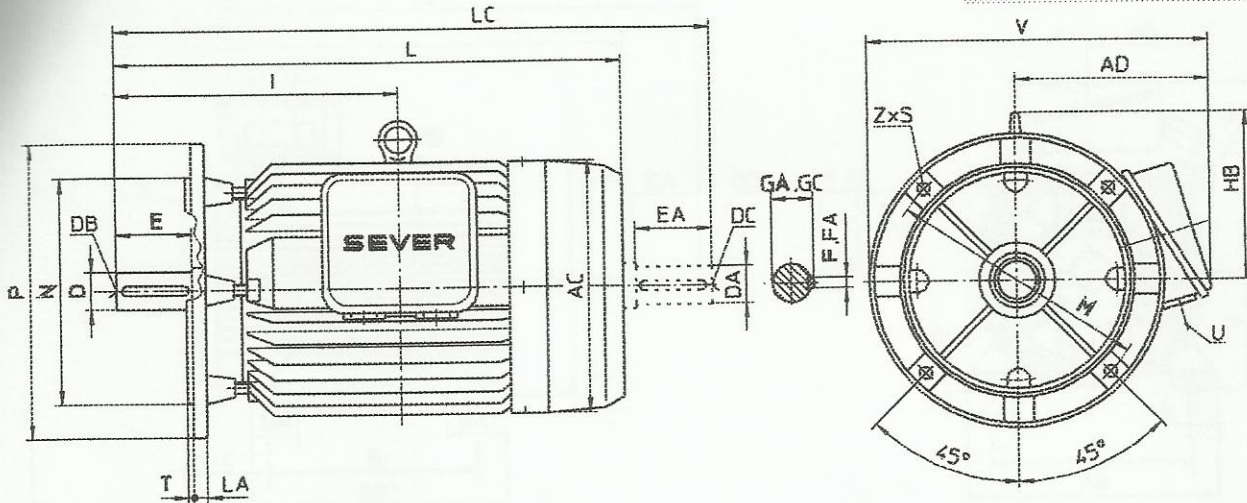


Type	Pole	A	AA	AB	AC	AD	B	BA	BB	C	D	DA	DB	DC	E	EA	F	FA	GA	GC	H	HA	HC	HD	I	K	L	LC	U	
1.ZK 132	Sk	2					140	180																239	441	529				
	S	2,4,6,8	216	55	271	247	190	50		89	38	38	M12	M12	80	80	10	10	41	41	132	20	255	291		12				M32x1.5
	Mk	6					178	218																258	479	567				
1.ZK 160	M	4,6,8																												M40x1.5
	Mk	2,8	254	60	314	285	246	210	65	260	108	42	42	M16	M16	110	110	12	12	45	45	160	23	300.5	345		323	589	709	
1.ZK 180	M	2,4,6,8					254	304																			345	633	753	
	L	2,4	279	70	349	323	260	241	82	296	121	48	48	M16	M16	110	110	14	14	51.5	51.5	180	28	342	387		351.5	652	772	
1.ZK 200	M	4,6,8					279	334																			370.5	690	810	
	Lk	2,6	318	80	398	369	299	305	95	375	133	55	55	M20	M20	110	110	16	16	59	59	200	30	387.5	440		395.5	764	876	
1.ZK 225	M	2,4,6,8					305	375																						M50x1.5
	S	4,8					286	355			60	60			140	140	18	18	64	64							432	805	962	
1.ZK 250	M	2	356	90	446	418	337	311	110	380	149	55	55	M20	M20	110	110	16	16	59	59	225	35	438	500		414.5	800	927	
	S	4,6,8									60	60			140	140	18	18	64	64							444.5	830	987	
1.ZK 280	M	2	406	96	506	474	360	349	95	430	168	60	60	M20	M20	140	140	18	18	64	64	250	40	487.5	549		482.5	906	1060	
	S	4,6,8					368	450			65	65					18	18	69	69							514	973	1128	
	M	2	457	110	567	510	379	112		190		75	75	M20	M20	140	140			79.5	79.5						514	973	1128	
	S	4,6,8					419	500			65	65			140	140			79.5	79.5			280	45	536	607		539.5	1024	1179
1.ZK 315	M	2					406	500			65	65			140	140	18	18	69	69							559	1072	1217	
	S	4,6,8					457	550			80	80			170	170	22	22	85	85							589	1102	1277	
	M	2	508	125	633	562	427	120		216		65	65	M20	M20	140	140	18	18	69	69	315	50	599	670		584.5	1123	1268	
	S	4,6,8					457	550			80	80			170	170	22	22	85	85							614.5	1153	1328	

Note: On request, motors type 132, 225, 250 and 280 are available with top mounted terminal box.

The dimensions given in bold figures are obligatory according to the recommendation of IEC. All other technical data and dimensions during the future development of motors may undergo some changes and therefore they can be considered as obligatory after our confirmation only. All dimensions are given in millimetres.

IM B5, V1 - IM 3001, 3011



Type	Pole	Flange	AC	AD	D	DA	DB	DC	E	EA	F	FA	GA	GC	HB	I	L	LA	LC	M	N	P	S	Z	T	V	U	
1.ZK 132	Sk	2														239	441		529									
	S	2,4,6,8	FF 265	247	190	38	38	M12	M12	80	80	10	10	41	41	159		16		265	230	300	Ø14.5	4	4	340	M32 x 1.5	
	Mk	6														258	479		567									
	M	4,6,8																										
1.ZK 160	Mk	2,8														323	589	20	709	300	250	350	Ø18.5	4	4	421	M40 x 1.5	
	M	2,4,6,8	FF 300	285	246	42	42	M16	M16	110	110	12	12	45	45	185				345	633		753					
	L	2,4,6,8														351.5	652	20	772	300	250	350	Ø18.5	4	5	435	M40 x 1.5	
1.ZK 180	M	2,4	FF 300	323	260	48	48	M16	M16	110	110	14	14	51.5	51.5	207				370.5	690	20	810					
	L	4,6,8														351.5	652	20	772	300	250	350	Ø18.5	4	5	435	M40 x 1.5	
1.ZK 200	Lk	2,6	FF 350	369	299	55	55	M20	M20	110	110	16	16	59	59	240	395.5	764	20	876	350	300	400	Ø18.5	4	5	499	M50 x 1.5
	L	2,4,6,8														370.5	690	20	810	300	250	350	Ø18.5	4	5	435	M40 x 1.5	
1.ZK 225	S	4,8				60	60			140	140	18	18	64	64		432	805		962								
	M	2	FF 400	418	337	55	55	M20	M20	110	110	16	16	59	59	275	414.5	800	20	927	400	350	450	Ø18.5	8	5	537	M50 x 1.5
		4,6,8				60	60			140	140	18	18	64	64		444.5	830		987								
1.ZK 250	M	2	FF 500	474	360	60	60	M20	M20	140	140	18	18	64	64	299	482.5	906	22	1060	500	450	550	Ø18.5	8	5	635	M50 x 1.5
	4,6,8				65	65			140	140	18	18	69	69		482.5	906	22	1060	500	450	550	Ø18.5	8	5	635	M50 x 1.5	
1.ZK 280	S	2				65	65			140	140	18	18	69	69		514	973		1128								
	M	4,6,8	FF 500	510	379	75	75	M20	M20	140	140	20	20	79.5	79.5	327			22	1179	500	450	550	Ø19	8	5	654	M50 x 1.5
		2				65	65			140	140	18	18	69	69		514	973		1128								
	4,6,8				75	75			140	140	20	20	79.5	79.5		539.5	1024		1179									
1.ZK 315	S	2				65	65			140	140	18	18	69	69		559	1072		1232								
	M	4,6,8	FF 600	562	427	80	80	M20	M20	170	170	22	22	85	85	345	589	1102	25	1292	600	550	660	Ø24	8	6	757	M63 x 1.5
		2				65	65			140	140	18	18	69	69		584.5	1123		1283								
	4,6,8				80	80			170	170	22	22	85	85		614.5	1153		1328									

The dimensions given in bold figures are obligatory according to the recommendation of IEC. All other technical data and dimensions during the future development of motors may undergo some changes and therefore they can be considered as obligatory after our confirmation only. All dimensions are given in millimetres.