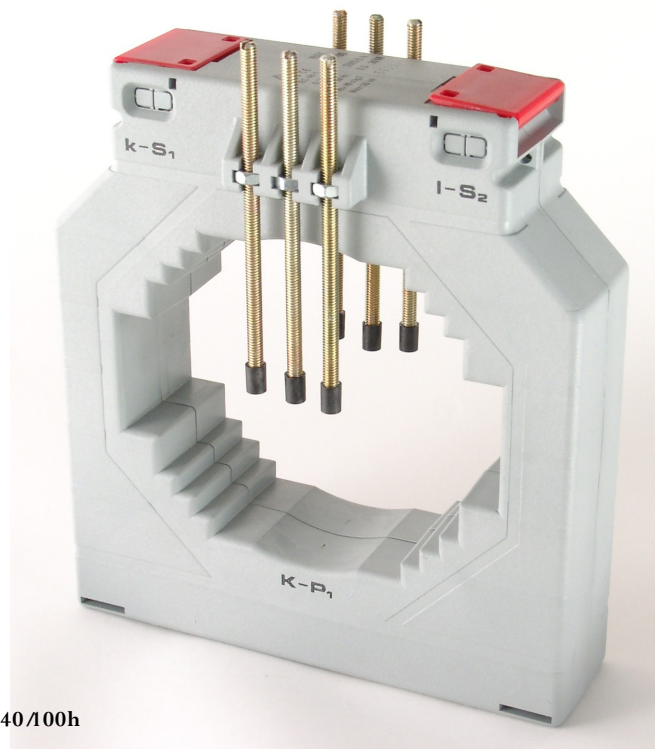


MAK 140/100h

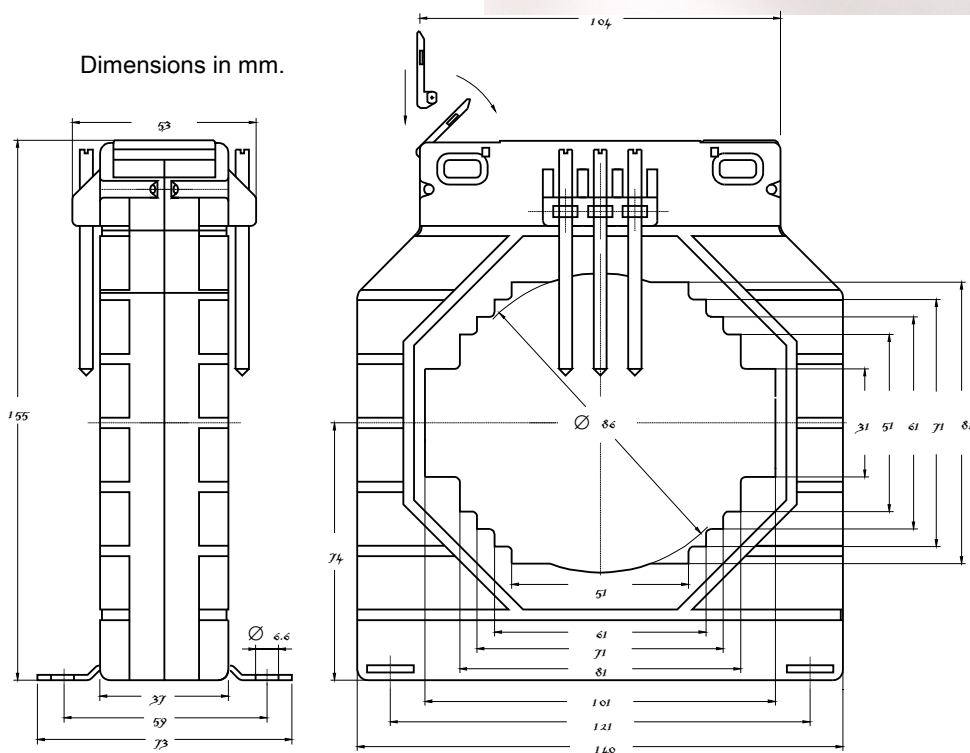
For currents from 200 A to 4000 A
 Type: ring / busbar
 Standards: acc. to BS 3938, EN 60044-1

Technical data:

Class of accuracy: 0,2S ... 3 (see table).
Rated burden: max. 60 VA (see table).
Rated voltage: 720 V.
Rated frequency: 50-60 Hz.
Rated sec. current: 5 A (or 1 A on request).
Security factor: FS 5 FS10
Working temperature range: -20 ... +45°C.
High voltage test: 4 kV_{eff}, 50 Hz, 1 min.
Insulation class: E (max. 120°C)
Protection: IP 00.
Case: non-flammable plastic, UL 94 V-0.



Outline drawing of MAK 140/100h



Weight: 900...1100gr

Order specification:

- Ring-type current transformer.
- Class of accuracy: 0.5
- Rated primary current: 2500 A.
- Rated secondary current: 5 A.
- Rated burden: 30 VA
- Busbar dimension: 2x100x10 mm or Ø 86 mm.

MAK 140/100h	2500/5 A	Cl. 0,5	30VA
---------------------	-----------------	----------------	-------------

Note:

On request orders for types different from table are accepted.

Different types of MAK140/100h current transformers see table on next page

Rated	Type: MAK 140/100h
-------	---------------------------



CURRENT TRANSFORMERS



primary current	Acc. class	Max. busbar hole dimension: 101x31 mm or \varnothing 86 mm (see outline drawing)											
		Rated Burden (VA)											
I_n		1.5	2.5	3.75	5	7.5	10	12.5	15	20	30	45	60
200 A	0.5	x		x									
	1	x			x								
250 A	0.5		x										
	1				x								
300 A	0.5			x		x							
	1				x	x							
400 A	0.2S		x										
	0.5S												
	0.2	x			x	x							
	0.5				x								
500 A	0.2S	x	x										
	0.5S			x									
	0.2		x		x		x						
	0.5				x		x						
600 A	0.2S		x	x									
	0.5S			x	x								
	0.2		x	x	x		x						
	0.5				x		x						
750 A	0.2S			x	x								
	0.5S				x								
	0.2				x		x		x				
	0.5				x		x		x				
800 A	0.2S				x								
	0.5S				x								
	0.2				x		x		x				
	0.5				x		x		x				
1000 A	0.2S				x		x						
	0.5S				x		x						
	0.2				x		x		x				
	0.5				x		x		x				
1200 A	0.2S				x		x						
	0.5S				x		x		x				
	0.2				x		x		x				
	0.5				x		x		x				
1250 A	0.2S				x		x						
	0.5S				x		x		x				
	0.2				x		x		x				
	0.5				x		x		x				
1500 A	0.2S				x		x						
	0.5S				x		x		x				
	0.2				x		x		x	x			
	0.5				x		x		x				
1600 A	0.2S				x		x						
	0.5S				x		x		x				
	0.2				x		x		x	x			
	0.5				x		x		x		x		
2000 A	0.2S				x		x						
	0.5S				x		x		x				
	0.2				x		x		x		x		
	0.5				x		x		x		x	x	

Different types of MAK140/100h current transformers see table on next page

Rated primary current	Acc. class	Type: MAK 140/100h											
		Max. busbar hole dimension: 101x31 mm or \varnothing 86 mm (see outline drawing)											
		Rated Burden (VA)											



CURRENT TRANSFORMERS



I_n		1.5	2.5	3.75	5	7.5	10	12.5	15	20	30	45	60
2500 A	0,2S				x		x		x	x			
	0,5S				x		x		x				
	0,2				x		x		x		x	x	
	0,5 1				x x		x x		x x		x x	x x	
3000 A	0,2S				x		x						
	0,5S				x		x		x	x			
	0,2				x		x		x		x		
	0,5 1				x x		x x		x x		x x		x x
4000 A	0,2S				x		x						
	0,5S				x		x						
	0,2				x		x						
	0,5 1				x x		x x		x x				x x

MAK140/100hd

These current transformers can be used two range by re-switching the secondary windings.

Rated primary current I_n	Acc. cl.	Type: MAK 140/100hd			
		Busbar hole 101x31 mm (see fig.)			
		Rated burden (VA)			
		5-2,5	10-5	15-7,5	30-15
600-300A	0,5 1 3	x	x		
800-400A	0,5 1 3	x	x		
1000-500A	0,5 1 3		x x	x	
1200-600A	0,5 1 3		x x	x	
1600-800A	0,5 1 3		x x	x	x
2000-1000A	0,5 1 3		x x	x	x x
2500-1250A	0,5 1 3		x x	x x	x x
3000-1500A	0,5 1 3		x x	x	x x

MAK140/100ht

These current transformers can be used three range by re-switching the secondary windings

Rated current I_n	Acc. cl.	Type: MAK 140/100ht		
		Busbar hole 101x31mm (see fig.)		
		Rated burden (VA)		
		10-5-2,5	20-10-5	30-15-7,5



CURRENT TRANSFORMERS



1200-600-300A	0,5 1 3	x	x	x
1600-800-400A	0,5 1 3	x	x x	x
2000-1000-500A	0,5 1 3	x	x x	x
2500-1200-600A	0,5 1 3	x	x x	x
3000-1500-750A	0,5 1 3	x	x x	x

Order specification:

- Ring-type current transformer.
- Class of accuracy: 1
- Rated primary current: 1000-500 A.
- Rated secondary current: 5 A.
- Rated burden: 10-5 VA
- Busbar dimension: 2x100x10 mm or \varnothing 86 mm.

MAK	1000-500/5 A	Cl. 1	10-5VA
140/100hd			