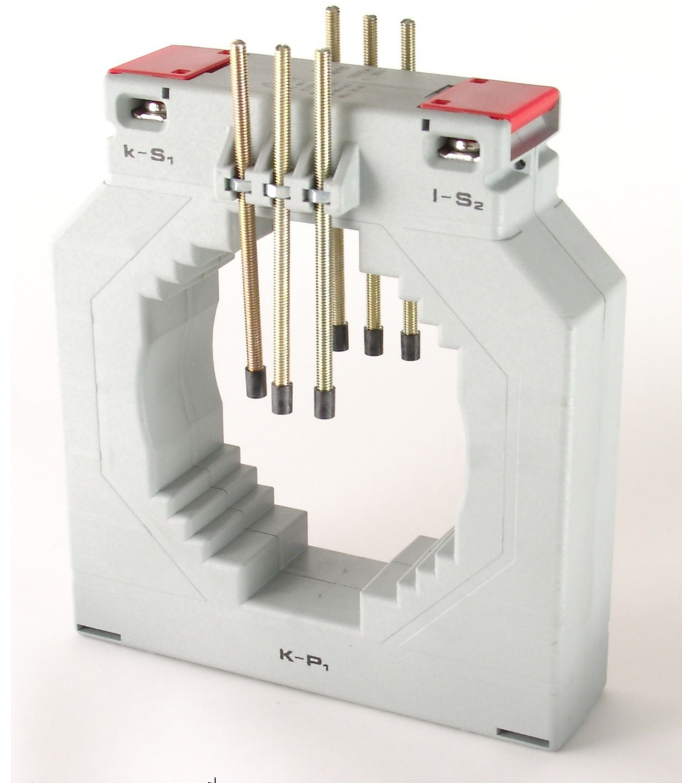


## MAK 140/100v

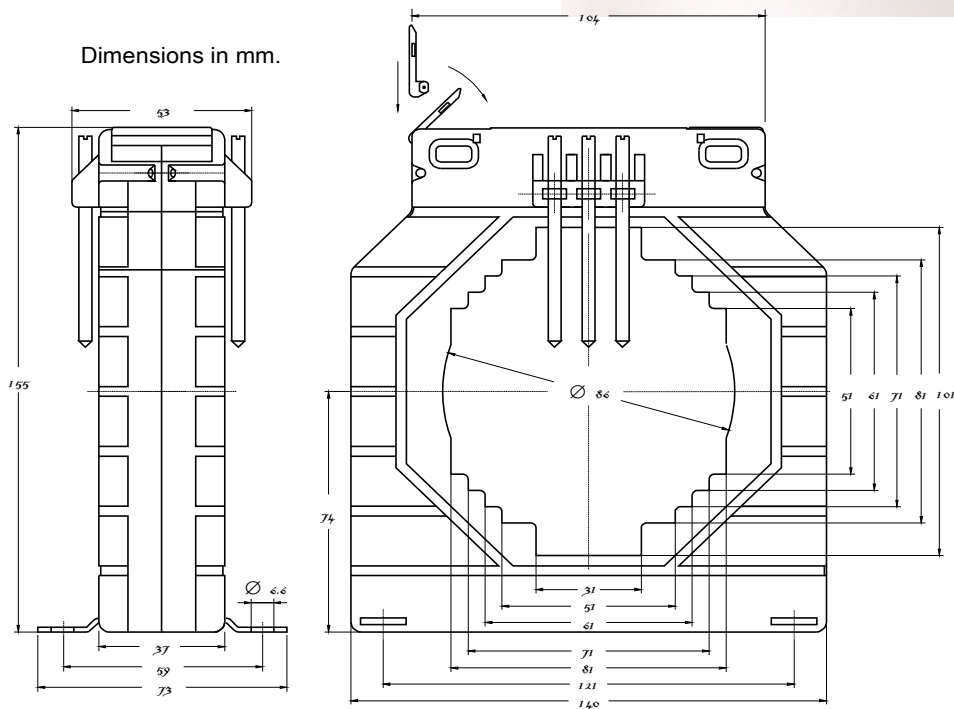
For currents from 200A to 3000 A  
 Type: ring / busbar  
 Standards: acc. to BS 3938, EN 60044-1

### Technical data:

**Class of accuracy:** 0,2S ... 3 (see table).  
**Rated burden:** max. 60 VA (see table).  
**Rated voltage:** 720 V.  
**Rated frequency:** 50-60 Hz.  
**Rated sec. current:** 5 A (or 1 A on request).  
**Security factor:** FS 5 FS10  
**Working temperature range:** -20 ... +45°C.  
**High voltage test:** 4 kV<sub>eff</sub>, 50 Hz, 1 min.  
**Insulation class:** E (max. 120°C)  
**Protection:** IP 00.  
**Case:** non-flammable plastic, UL 94 V-0



Outline drawing of MAK140/100v



Weight: 900...1100gr

### Order specification:

- Ring-type current transformer.
- Class of accuracy: 0.5
- Rated primary current: 3000 A.
- Rated secondary current: 5 A.
- Rated burden: 30 VA
- Busbar dimension: 2x100x10 mm or  $\varnothing$  86 mm.

<b>MAK 140/100v</b>	<b>3000/5 A</b>	<b>Cl. 0,5</b>	<b>30VA</b>
---------------------	-----------------	----------------	-------------

### Note:

-On request orders for types different from table are accepted.

Different types of MAK140/100v current transformers see table on next page



# CURRENT TRANSFORMERS



Rated primary current	Acc. class	Type: MAK 140/100v											
		Max. busbar hole dimension: 101x31 mm or Ø 86 mm (see outline drawing)											
		Rated Burden (VA)											
$I_n$		1.5	2.5	3.75	5	7.5	10	12.5	15	20	30	45	60
200 A	0.5	x		x									
	1	x			x								
	3												
250 A	0.5		x										
	1				x								
	3												
300 A	0.5			x									
	1				x	x							
	3						x						
400 A	0.2S												
	0.5S		x										
	0.2	x											
	0.5				x	x							
500 A	1				x								
	3						x						
	0.2S	x	x										
	0.5S			x									
600 A	0.2		x										
	0.5				x								
	1				x								
	3						x						
750 A	0.2S			x	x								
	0.5S				x								
	0.2				x								
	0.5				x		x		x				
800 A	1				x								
	3						x						
	0.2S				x								
	0.5S				x								
1000 A	0.2				x								
	0.5				x								
	1				x								
	3						x						
1200 A	0.2S				x								
	0.5S				x								
	0.2				x								
	0.5				x								
1250 A	1				x								
	3						x						
	0.2S				x								
	0.5S				x								
1500 A	0.2				x								
	0.5				x								
	1				x								
	3						x						
1600 A	0.2S				x								
	0.5S				x								
	0.2				x								
	0.5				x								
2000 A	1				x								
	3						x						
	0.2S				x								
	0.5S				x								
2500 A	0.2				x								
	0.5				x								
	1				x								
	3						x						
3000 A	0.2S				x								
	0.5S				x								
	0.2				x								
	0.5				x								
3000 A	1				x								
	3						x						

## MAK140/100vd

These current transformers can be used two range by re-switching the secondary windings.

Rated primary current $I_n$	Acc. cl.	Type: MAK 140/100vd			
		Busbar hole 101x31 mm (see fig.)			
		Rated burden (VA)			
		5-2,5	10-5	15-7,5	30-15
600-300A	0,5 1 3	x	x		
800-400A	0,5 1 3	x	x		
1000-500A	0,5 1 3		x x	x	
1200-600A	0,5 1 3		x x	x	
1600-800A	0,5 1 3		x x	x	x
2000-1000A	0,5 1 3		x x	x	x x
2500-1250A	0,5 1 3		x x	x x	x x
3000-1500A	0,5 1 3		x x	x	x x

### MAK140/100vt

These current transformers can be used three range by re-switching the secondary windings.

Rated primary current $I_n$	Acc. cl.	Type: MAK 140/100vt		
		Busbar hole 101x31mm (see fig.)		
		Rated burden (VA)		
		10-5-2,5	20-10-5	30-15-7,5
1200-600-300A	0,5 1 3	x	x	x
1600-800-400A	0,5 1 3	x	x x	x
2000-1000-500A	0,5 1 3	x	x x	x
2500-1200-600A	0,5 1 3	x	x x	x
3000-1500-750A	0,5 1 3	x	x x	x

### Order specification:

- Ring-type current transformer.
- Class of accuracy: 1
- Rated primary current: 1000-500 A.
- Rated secondary current: 5 A.
- Rated burden: 10-5 VA
- Busbar dimension: 2x100x10 mm or  $\varnothing$  86 mm.

**MAK 140/100vd    1000-500/5 A    Cl. 1    10-5VA**