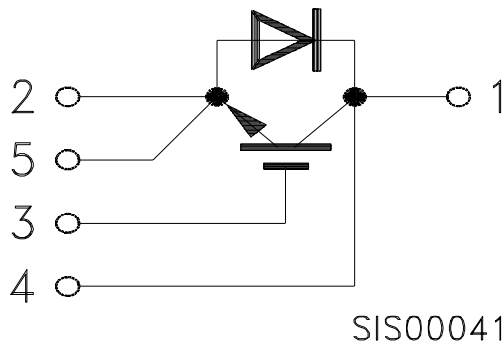


**Circuit Diagram**



**Package Outlines**

Dimensions in mm

Weight: 420 g

