



MAK 45/20

For currents from 50A to 300A.

Type: ring/busbar

Standards: acc. to BS 3938, EN 60044-1

Technical data:

Class of accuracy: 0,5 ... 3 (see table).

Rated burden: max. 5 VA (see table).

Rated voltage: 720 V.

Rated frequency: 50-60 Hz.

Rated sec. current: 5 A (or 1 A on request).

Security factor FS 5

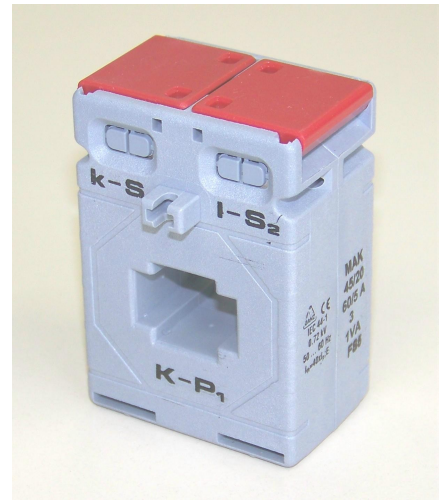
Working temperature range: -20 ... +45°C.

Insulation class: E (max. 120°C)

High voltage test: 4 kV_{eff}, 50 Hz, 1 min.

Protection: IP 00.

Case: non-flammable plastic, UL 94 V-0.



Rated primary current I_n	Acc. class	Type: MAK 45/20			
		Busbar hole: 20,5x10,5 mm			
		Rated burden (VA)			
		1	1.5	2.5	3.75
50 A	0.5	x			
	1		x		
	3				
60 A	0.5	x			
	1		x		
	3				
75 A	0.5		x		
	1		x		
	3				
80 A	0.5	x			
	1		x		
	3		x		
100 A	0.5		x		
	1			x	
	3			x	

Rated primary current I_n	Acc. class	Type: MAK 45/20			
		Busbar hole: 20,5x10,5 mm			
		Rated burden (VA)			
		1.5	2,5	3,75	5
125 A	0.5	x			
	1		x		
	3		x		
150 A	0.5	x			
	1		x		
	3		x		
200 A	0.5		x		
	1		x		
	3			x	
250 A	0.5	x	x		
	1			x	
	3			x	
300 A	0.5		x		
	1		x	x	
	3			x	

Sample order:

- Ring-type current transformer.
- Class of accuracy: 1
- Rated primary current: 100 A.
- Rated secondary current: 5 A
- Rated burden: 2.5 VA
- Busbar dimension: 20x10 mm

MAK 45/20 100/5A Cl. 1 2,5VA **N**

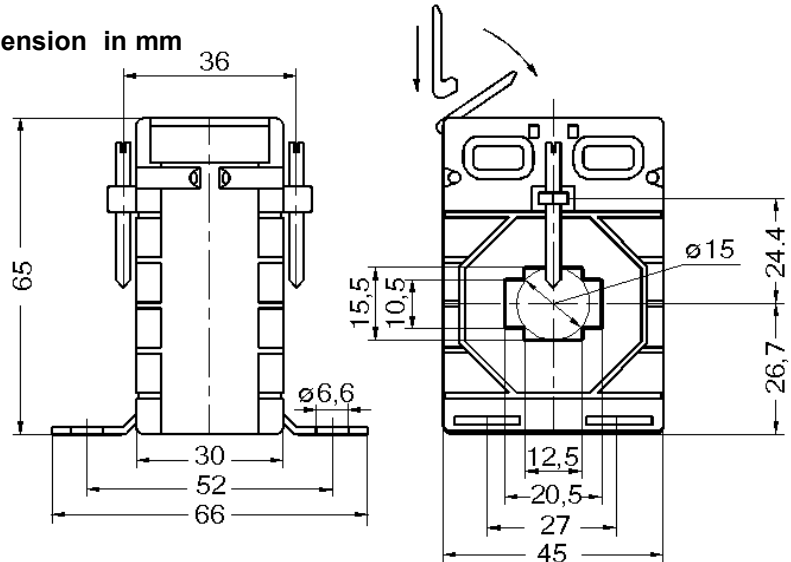
ote:

On request orders for types different from table are accepted.

-On request order for clip for DIN EN 50022 rail are accepted.

Cat. No. 12-4814-94.

Dimension in mm



Weight: 150-200 gr