

MAK 45/21

For currents from 50A to 400A.

Type: ring

Standards: acc. to BS 3938, EN 60044-1.

Technical data:

Class of accuracy: 0,5 ... 3 (see table).

Rated burden: max. 5 VA (see table).

Rated voltage: 720 V.

Rated frequency: 50-60 Hz.

Rated sec. current: 5 A (or 1 A on request).

Security factor FS 5

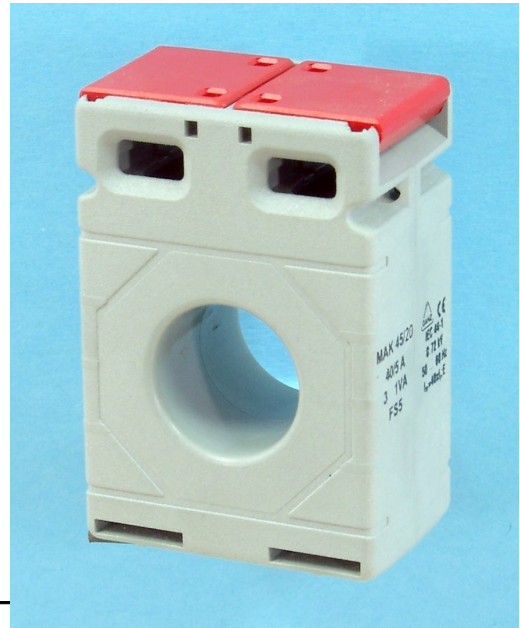
Working temperature range: -20 ... +45°C.

Insulation class: E (max. 120°C)

High voltage test: 4 kV_{eff}, 50 Hz, 1 min.

Protection: IP 00.

Case: non-flammable plastic, UL 94 V-0.



Rated primary current I_n	Acc. class	Type: MAK 45/21			
		Dim. of busbar hole: \varnothing 21 mm			
		Rated burden (VA)			
		1	1.5	2.5	3.75
50 A	0.5				
	1	x			
	3		x		
60 A	0.5				
	1	x			
	3		x		
75 A	0.5				
	1		x		
	3		x		
80 A	0.5	x			
	1		x		
	3		x		
100 A	0.5		x		
	1			x	
	3			x	

Rated primary current I_n	Acc. class	Type: MAK 45/21			
		Dim. of busbar hole: \varnothing 21 mm			
		Rated burden (VA)			
		1.5	2,5	3,75	5
125 A	0.5	x			
	1		x		
	3		x		
150 A	0.5	x			
	1		x	x	
	3		x		
200 A	0.5		x		
	1		x		
	3			x	
250 A	0.5	x	x		
	1			x	
	3			x	
300 A	0.5		x		
	1		x	x	
	3			x	x
400 A	0.5			x	
	1				x
	3				x

Sample order:

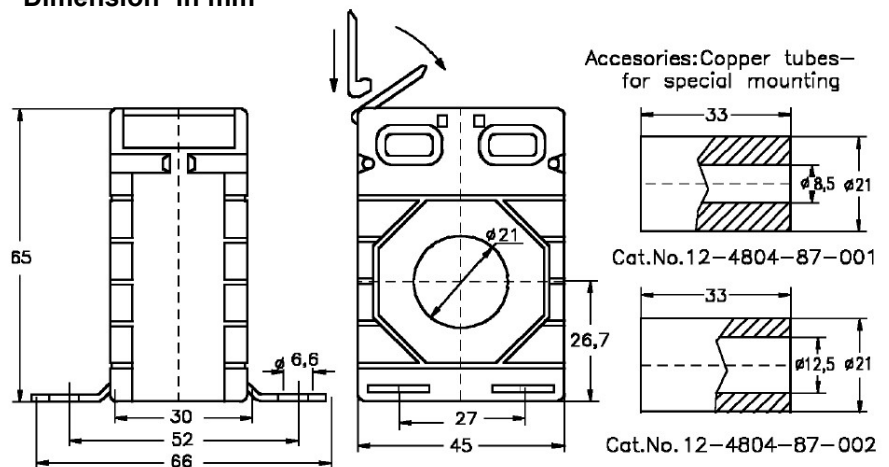
- Ring-type current transformer.
- Class of accuracy: 1
- Rated primary current: 100 A.
- Rated secondary current: 5 A
- Rated burden: 2.5 VA
- Busbar dimension: \varnothing 21 mm

MAK45/21 100/5A Cl. 1 2,5VA

Note:

- On request orders for types different from table are accepted.
 - On request order for clip for DIN EN 50022 rail are accepted.
- Cat. No. **12-4814-94**.

Dimension in mm



Weight: 150-200 gr