

## MAK 62/20

For currents from 50A to 400A.  
 Type: ring/busbar  
 Standards: acc. to BS 3938, EN 60044-1.

### Technical data:

Class of accuracy: 0.2S ... 3 (see table).  
 Rated burden: max. 15 VA (see table).  
 Rated voltage: 720 V.  
 Rated frequency: 50-60 Hz.  
 Rated sec. current: **5 A (or 1 A on request).**

Security factor: **FS 5** FS10

Working temperature range: -20 ... +45°C.

Insulation class: E (max. 120°C)

High voltage test: 4 kV<sub>eff</sub>, 50 Hz, 1 min.

Protection: IP 00.

Case: non-flammable plastic, UL 94 V-0.



Rated primary current $I_n$	Acc. class	Type: MAK 62 / 20				
		Busbar hole: 20,5x12,5 mm				
		Rated burden (VA)				
		1.5	2.5	3.75	5	7.5
50 A	0.5					
	1	x				
	3		x			
60 A	0.5					
	1	x				
	3		x			
75 A	0.5					
	1		x			
	3			x		
80 A	0.5	x				
	1		x	x		
	3			x		
100 A	0.2S	x				
	0.5S	x				
	0.2	x				
	0.5		x			
	1			x		
125 A	0.2S	x				
	0.5S	x				
	0.2	x				
	0.5			x		
	1				x	

Rated primary current $I_n$	Acc. class	Type: MAK 62 / 20							
		Busbar hole: 20,5x12,5 mm							
		Rated burden (VA)							
		1,5	2.5	3.75	5	7.5	10	12.5	15
150 A	0,2S	x							
	0,5S	x	x						
	0.2	x							
200 A	0,5			x					
	1				x	x			
	0,2S	x	x						
	0,5S	x	x	x					
	0.2	x	x		x				
250 A	0,5				x				
	1				x		x		
	0,2S	x	x	x					
	0,5S	x	x	x					
	0.2	x	x						
300 A	0,5								
	1								
	0,2S		x	x					
	0,5S		x	x					
	0.2		x		x				
400 A	0,5								
	1								
	0,2S		x	x					
	0,5S			x					
	0.2				x	x			

### Order specification:

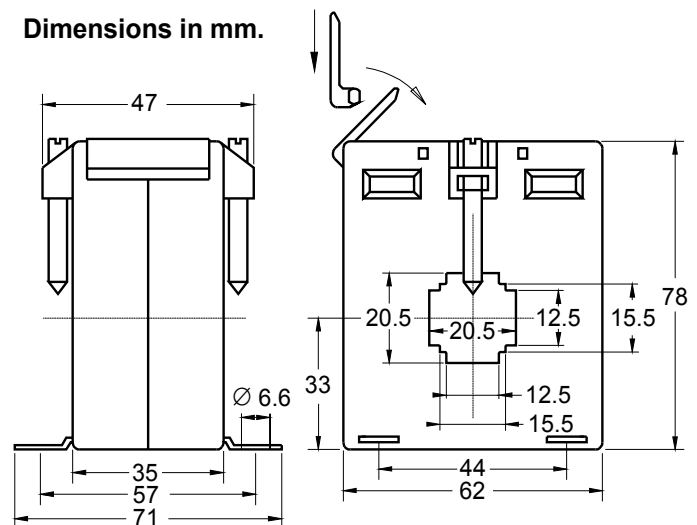
- Ring-type current transformer.
- Class of accuracy: 0,5
- Rated primary current: 100 A.
- Rated secondary current 5 A
- Rated burden: 2.5 VA
- Busbar dimension: 20X12,5mm.

<b>MAK 62/20</b>	<b>100/5A</b>	<b>Cl. 0,5</b>	<b>2,5VA</b>
------------------	---------------	----------------	--------------

### Note:

- On request orders for types different from table are accepted.
  - On request order for clip for DIN EN 50 022 rail are accepted.
- Cat. No. **12-3044-94**.

### Dimensions in mm.



Weight: 350-420gr.



# CURRENT TRANSFORMERS



These current transformers can be used two range by re-switching the secondary windings.

Rated primary current $I_n$	Ac. cl.	Type: MAK 62/20d		
		Busbar hole 20,5x12,5 mm (see fig.)		
		Rated burden (VA)		
		5-2,5	10-5	15-7,5
200-100 A	0,5 1	x		
300-150 A	0,5 1	x	x	
400-200A	0,5 1		x	x
500-250 A	0,5 1		x	x
600-300 A	0,5 1		x	x

## Order specification:

- Two range current transformer.
- Class of accuracy: 0,5
- Rated primary current: 200-100 A
- Rated secondary current 5A
- Rated burden: 5-2,5 VA
- Busbar dimension: 20x12,5mm

<b>MAK 62/20d</b>	<b>200-100/5A</b>	<b>Cl. 0,5</b>	<b>5-2,5VA</b>
-------------------	-------------------	----------------	----------------