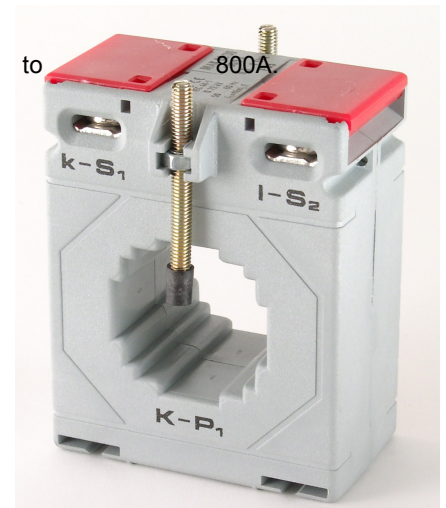


MAK 62/30

For currents from 50A to 800A
 Type: ring/busbar
 Standards: acc. to BS 3938, EN 60044-1.

Technical data:

Class of accuracy: 0.2S ... 3 (see table).
Rated burden: max. 15 VA (see table).
Rated voltage: 720 V.
Rated frequency: 50-60 Hz.
Rated sec. current: 5 A (or 1 A on request).
Security factor: **FS 5** FS10
Working temperature range: -20 ... +45°C.
High voltage test: 4 kV_{eff}, 50 Hz, 1 min.
Insulation class: E (max. 120°C)
Protection: IP 00.
Case: non-flammable plastic, UL 94 V-0.



Rated primary current I_n	Acc. cl.	Type: MAK 62 / 30					
		Busbar hole 31x11 mm (see fig.)					
		Rated burden (VA)					
		1	1.5	2.5	3.75	5	7.5
50 A	0.5						
	1	x					
	3		x				
60 A	0.5						
	1		x				
	3			x			
75 A	0.5						
	1		x				
	3			x			
80 A	0.5						
	1		x				
	3				x		
100 A	0.2S	x					
	0.5S	x					
	0.2	x					
	0.5		x				
125 A	0.2S	x					
	0.5S	x					
	0.2	x					
	0.5			x			
150 A	0.2S		x				
	0.5S		x				
	0.2		x				
	0.5				x		
200 A	0.2S		x				
	0.5S		x				
	0.2		x				
	0.5			x			
	1				x		
	1				x		x

Rated primary current I_n	Acc. cl.	Type: MAK 62 / 30						
		Busbar hole 31x11 mm (see fig.)						
		Rated burden (VA)						
		1,5	2,5	3,75	5	7,5	10	15
250 A	0.2S	x	x					
	0.5S	x	x					
	0.2			x				
300 A	0.2S	x	x					
	0.5S	x	x					
	0.2	x	x	x				
400 A	0.2S		x					
	0.5S		x					
	0.2	x	x	x	x			
500 A	0.2S		x	x				
	0.5S		x	x				
	0.2			x	x			
600 A	0.2S		x	x				
	0.5S		x	x				
	0.2			x	x			
750 A	0.2S		x		x			
	0.5S				x	x		
	0.2			x	x			
800 A	0.2S				x			
	0.5S				x			
	0.2				x			
	0.5				x			
	1				x			

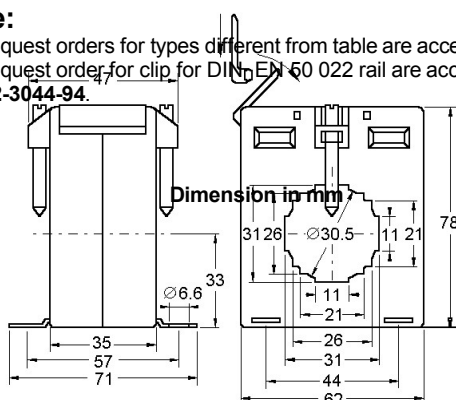
Order specification:

- Ring-type current transformer.
- Class of accuracy: 0.5
- Rated primary current: 300 A.
- Rated secondary current: 5 A
- Rated burden: 5 VA
- Busbar dimension: 30x10 mm.

MAK 62/30 300/5A Cl. 0,5 5VA

Note:

- On request orders for types different from table are accepted.
- On request order for clip for DIN EN 60 022 rail is accepted. Cat. No. 12-3044-94.





CURRENT TRANSFORMERS



Weight: 200...380gr:

MAK62/30d

These current transformers can be used two range by re-switching the secondary windings.

Rated primary current	Acc. cl.	Type: MAK 62/30d		
		Busbar hole 31x11 mm (see fig.) Rated burden (VA)		
I_n		5-2,5	10-5	15-10
200-100A	0.5 1	x		
300-150A	0.5 1	x	x	
400-200A	0.5 1	x	x	
500-250A	0.5 1		x	
600-300A	0.5 1		x	x
800-400A	0.5 1		X	x

Order specification:

- Two range current transformer.
- Class of accuracy: 1
- Rated primary current: 200-100 A
- Rated secondary current: 5A
- Rated burden: 5-2,5 VA
- Busbar dimension: 30x10mm

MAK 62/30d	200-100/5A	Cl. 1	5-2,5VA
-------------------	-------------------	--------------	----------------