

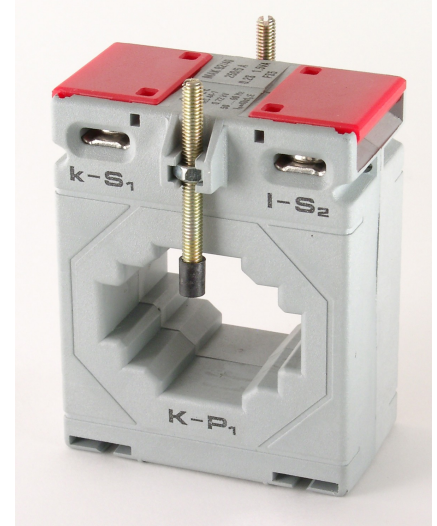


## MAK 62/40

For currents from 100A to 750A.  
 Type: ring / busbar  
 Standards: acc. to BS 3938, EN 60044-1.

### Technical data:

**Class of accuracy:** 0.2S ... 3 (see table).  
**Rated burden:** max. 10 VA (see table).  
**Rated voltage:** 720 V.  
**Rated frequency:** 50-60 Hz.  
**Rated sec. current:** 5 A or 1 A on request.  
**Security factor:** **FS 5**  
**Working temperature range:** -20 ... +45°C.  
**High voltage test:** 4 kV<sub>eff</sub>, 50 Hz, 1 min.  
**Insulation class:** E (max. 120°C)  
**Protection:** IP 00.  
**Case:** non-flammable plastic, UL 94 V-0.



Rated primary current	Type: MAK 62 / 40					
	Busbar hole 40,5x11 mm (see fig.)					
	Rated burden (VA)					
I <sub>n</sub>		1	1,5	2,5	3,75	5
100 A	0,5					
	1	x				
	3		x			
125 A	0,5					
	1		x			
	3		x	x		
150 A	0,5					
	1		x	x		
	3				x	
200 A	0,2S	x				
	0,5S		x			
	0,2	x				
	0,5		x			
250 A	0,2S	x				
	0,5S		x			
	0,2	x	x			
	0,5			x		
300 A	0,2S		x			
	0,5S		x	x		
	0,2		x			
	0,5					x
	1					x
	3					x

Rated primary current	Acc. cl.	Type: MAK 62 / 40						
		Busbar hole 40,5x11 mm						
		Rated burden (VA)						
I <sub>n</sub>		1,5	2,5	3,75	5	7,5	10	
400 A	0,2S	x	x					
	0,5S		x					
	0,2		x					
500 A	0,5				x			
	1				x	x		
	3						x	
600 A	0,2S		x	x				
	0,5S		x					
	0,2				x	x		
	0,5				x	x		
750 A	1				x		x	
	0,2S		x		x			
	0,5S		x		x			
	0,2				x		x	
	0,5				x		x	
	1				x		x	

### Order specification:

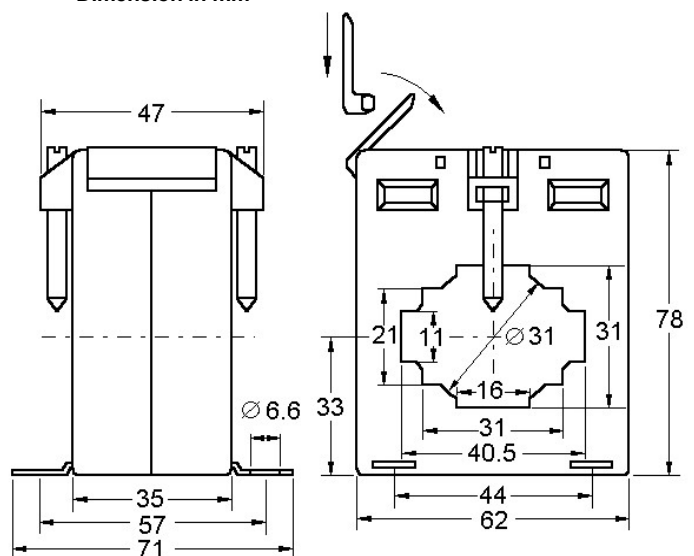
- Ring-type current transformer.
- Class of accuracy: 0.5
- Rated primary current: 600 A.
- Rated secondary current: 5 A
- Rated burden: 5 VA
- Busbar dimension: 40x10 mm.

**MAK 62/40 600/5A Cl. 0,5 5VA**

### Note:

- On request orders for types different from table are accepted.
  - On request order for clip for DIN EN 50 022 rail are accepted.
- Cat. No. 12-3044-94.

Dimension in mm



Weight: 180...250gr

## MAK62/40d

These current transformers can be used two range



## CURRENT TRANSFORMERS



by re-switching the secondary windings.

Rated primary current $I_n$	Ac. cl.	Type: MAK 62/40d	
		Busbar hole 40,5x11 mm (see fig.)	
		Rated burden (VA)	
		5-2,5	10-5
200-100A	0,5 1 3	x	
300-150A	0,5 1 3	x	
400-200 A	0,5 1 3	x	x
500-250 A	0,5 1 3	x	x x
600-300A	0,5 1 3	x x	x x

### Order specification:

- Two range current transformer.
- Class of accuracy: 1
- Rated primary current: 600-300 A
- Rated secondary current 5A
- Rated burden: 10-5 VA
- Busbar dimension: 40x10mm

<b>MAK 62/40d</b>	<b>600-300/5A</b>	<b>Cl. 1</b>	<b>10-5VA</b>
-------------------	-------------------	--------------	---------------