

## MAK 62/R

For currents from 50 A to 600A  
 Type: ring  
 Standards: acc. to BS 3938, EN 60044-1.

### Technical data:

**Class of accuracy:** 0.2 ... 3 (see table).  
**Rated burden:** max. 15 VA (see table).  
**Rated voltage:** 720 V.  
**Rated frequency:** 50-60 Hz.  
**Rated sec. current:** 5 A (or 1 A on request).  
**Security factor:** FS 5 FS10  
**Working temperature range:** -20 ... +45°C.  
**Insulation class:** E (max. 120°C)  
**High voltage test:** 4 kV<sub>eff</sub>, 50 Hz, 1 min.  
**Protection:** IP 00.  
**Case:** non-flammable plastic, UL 94 V-0.



Rated primary current $I_n$	Acc. class	Type: MAK 62 / R				
		Dim. of busbar hole: $\varnothing$ 22,5mm				
		Rated burden (VA)				
		1.5	2.5	3.75	5	7.5
50 A	0.5					
	1	x				
	3		x			
60 A	0.5					
	1	x				
	3		x			
75 A	0.5					
	1		x	x		
	3				x	
80 A	0.5	x				
	1		x	x		
	3				x	
100 A	0.5		x			
	1				x	
	3				x	
125 A	0.5			x		
	1				x	
	3					x

Rated primary current $I_n$	Acc. class	Type: MAK 62 / R							
		Dim. of busbar hole: $\varnothing$ 22,5 mm							
		Rated burden (VA)							
		1.5	2.5	3.75	5	7.5	10	12.5	15
150 A	0.2								
	0.5	x							
	1			x					
200 A	0.2								
	0.5	x							
	1				x	x			
250 A	0.2								
	0.5	x							
	1				x		x	x	
300 A	0.2		x						
	0.5								
	1				x		x	x	
400 A	0.2								
	0.5					x			
	1				x	x	x		x
500 A	0.2								
	0.5								
	1				x		x		x
600 A	0.2								
	0.5								
	1				x		x		x

### Order specification:

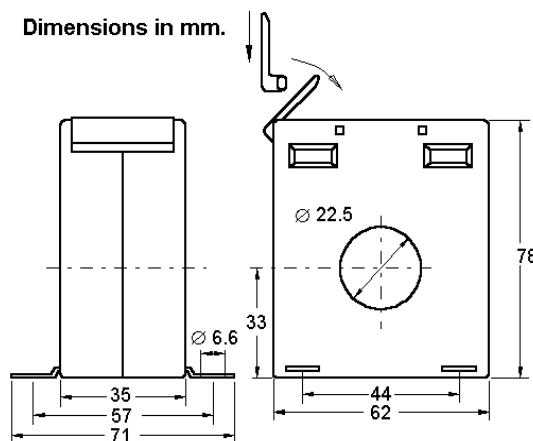
- Ring-type current transformer.
- Class of accuracy: 0.5
- Rated primary current: 300 A.
- Rated secondary current: 5 A
- Rated burden: 5 VA
- Busbar dimension:  $\varnothing$  22 mm.

**MAK 62/R 300/5A Cl. 0,5 5VA** **Not**

- On request orders for types different from table are accepted.
- On request order for clip for DIN EN 50 022 rail are accepted.

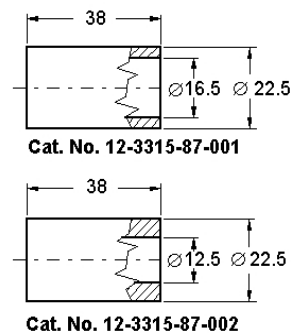
**Cat. No. 12-3044-94.**

Dimensions in mm.



### Accessories:

**Copper tubes for special mounting.**



**Weight: 350..420gr**

## MAK62/Rd

These current transformers can be used two range by re-switching the secondary windings.

Rated primary current $I_n$	Ac. cl.	Type: MAK 62/Rd		
		Busbar hole $\varnothing$ 22,5 mm		
		Rated burden (VA)		
		5-2,5	10-5	15-10
200-100 A	0,5 1	x		
300-150 A	0,5 1	x	x	
400-200A	0,5 1		x	x
500-250 A	0,5 1		x	x

### Order specification:

- Two range current transformer.
- Class of accuracy: 0,5
- Rated primary current: 200-100 A
- Rated secondary current 5A
- Rated burden: 5-2,5 VA
- Busbar dimension:  $\varnothing$ 22 mm.

<b>MAK 62/Rd</b>	<b>200-100/5A</b>	<b>Cl. 0,5</b>	<b>5-2,5 VA</b>
------------------	-------------------	----------------	-----------------