



MAK 62/W

For currents from 1 A to 25 A
 Type: primary winding
 Standards: acc. to BS 3938, EN 60044-1

Technical data:

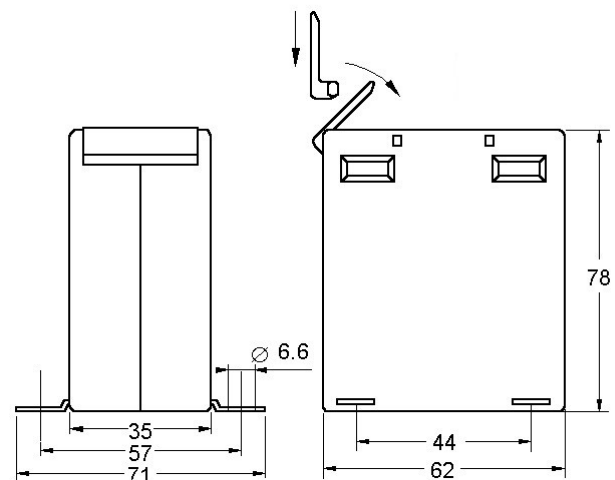
Class of accuracy: 0.2S ... 1 (see table).
Rated burden: max. 10 VA (see table).
Rated voltage: 720 V.
Rated frequency: 50-60 Hz.
Rated sec. current: 5 A (or 1 A on request).
Security factor: FS 5
Working temperature range: -20 ... +45°C.
Insulation class: E (max. 120°C)
High voltage test: 4 kV_{eff}, 50 Hz, 1 min.
Protection: IP 00.
Case: non-flammable plastic, UL 94 V-0.



Rated primary current I_n	Acc. class	Type: MAK 62 / W				
		Rated burden (VA)				
		1	2,5	5	7,5	10
1 A	0,2S	x			x	
	0,5S			x	x	
	0,2		x			
	0,5 1			x x		x x
2,5 A	0,2S	x				
	0,5S			x	x	
	0,2		x			
	0,5 1			x x		x x
5 A	0,2S	x				
	0,5S			x	x	
	0,2		x			
	0,5 1			x x		x x
7,5 A	0,2S	x				
	0,5S			x	x	
	0,2		x			
	0,5 1			x x		x x
10 A	0,2S	x				
	0,5S			x	x	
	0,2		x			
	0,5 1			x x		x x
15 A	0,2S	x				
	0,5S			x	x	
	0,2		x			
	0,5 1			x x		x x
20 A	0,2S	x				
	0,5S			x	x	
	0,2		x			
	0,5 1			x x		x x
25A	0,2S	x				
	0,5S			x	x	
	0,2		x			
	0,5 1			x x		x x

Dimensions in mm

Primary terminal screw
M4



Weight: 350...400 gr

Order specification:

- Current transformer with primary winding
- Class of accuracy: 0,5
- Rated primary current: 15 A
- Rated secondary current: 5 A
- Rated burden: 5 VA

Note:

- On request orders for types different from table are accepted.
 - On request order for clip for DIN EN 50 022 rail are accepted.
- Cat. No. **12-3044-94**

MAK 62/W	15/5A	Cl. 0,5 5VA
-----------------	--------------	--------------------