



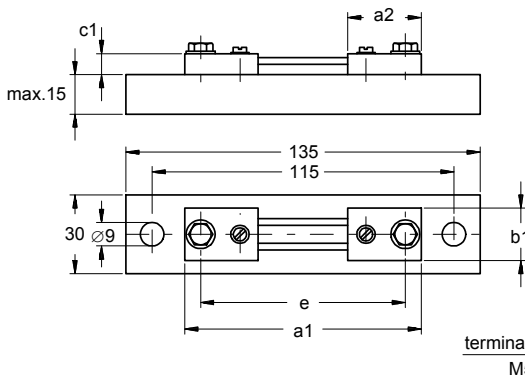
# SHUNTS



Shunts type: S-1												
Voltage drop: 60 mV												
Rated current	Fig.	Cat. No.	Dimensions (mm)									
			a1	a2	b1	b2	b3	c1	c2	e	h	i
1 A	A.	0795-90-001	90	28	20	---	---	8	---	78	---	M5x12
1.5 A		-002	90	28	20	---	---	8	---	78	---	M5x12
2.5 A	↓	-003	90	28	20	---	---	8	---	78	---	M5x12
4 A	A	-004	90	28	20	---	---	8	---	78	---	M5x12
5 A	A	-009	90	28	20	---	---	8	---	78	---	M5x12
6 A	A	-005	90	28	20	---	---	8	---	78	---	M5x12
10 A	A	-006	90	28	20	---	---	8	---	78	---	M5x12
15 A	A	-007	90	28	20	---	---	8	---	78	---	M5x12
20 A	A	-018	90	28	20	---	---	8	---	78	---	M5x12
25 A	A	-008	90	28	20	---	---	8	---	78	---	M5x12
30 A		0796-90-001	100	33	20	---	---	8	---	80	---	M8x15
40 A		-002	100	33	20	---	---	8	---	80	---	M8x15
50 A		-003	100	33	20	---	---	8	---	80	---	M8x15
60 A		-004	100	33	20	---	---	8	---	80	---	M8x15
80 A		-005	100	33	20	---	---	8	---	80	---	M8x15
100 A		-006	100	33	20	---	---	8	---	80	---	M8x15
150 A		-008	100	33	20	---	---	8	---	80	---	M8x15
200 A	B.	0797-90-012	145	55	30	15	---	10	10	105	30	M12x40
250 A		-001	145	55	30	15	---	10	10	105	30	M12x40
300 A	↓	-003	145	55	40	20	---	10	10	105	30	M16x45
400 A		-003	145	55	40	20	---	10	10	105	30	M16x45
500 A		-004	145	55	40	20	---	10	10	105	30	M16x45
600 A		-005	145	55	40	20	---	10	10	105	30	M16x45
1000 A		-007	165	65	60	30	---	10	10	115	30	M20x50
1200 A		0798-90-002	165	65	90	21	48	10	10	115	30	M16x45
1500 A		-001	165	65	90	21	48	10	10	115	30	M16x45
2000 A		-011	165	65	90	21	48	10	10	115	30	M16x45
2500 A		-004	165	65	120	30	60	10	10	115	30	M20x50
3000 A		-013	165	65	120	30	60	15	10	115	60	M20x50
4000 A	C.	2140-90-001	165	65	120	30	60	15	10	115	60	M20x60
5000 A		-002	165	65	154	25	52	15	10	115	60	M20x75
6000 A	↓	-003	175	70	154	25	52	25	15	125	130	M20x75
8000 A		-004	185	75	206	25	52	30	20	135	170	M20x80
10000 A		-005	185	75	206	25	52	30	20	135	170	M20x80
15000 A		-006	185	75	310	25	52	30	20	135	170	M20x80
20000 A		-007	185	75	414	25	52	30	20	135	170	M20x80
25000 A		-008	185	75	518	25	52	30	20	135	170	M20x80

Fig. A.

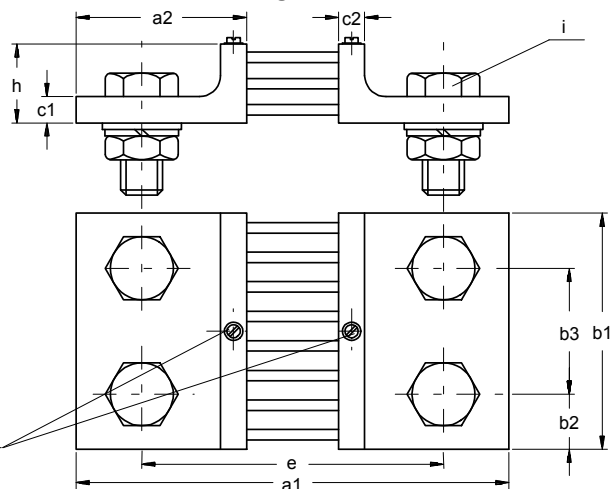
Dimensions in mm.



Order specification 1:

- Shunt.
- Range: 1200 A 60 mV

Fig. B.



Ordering data 1:

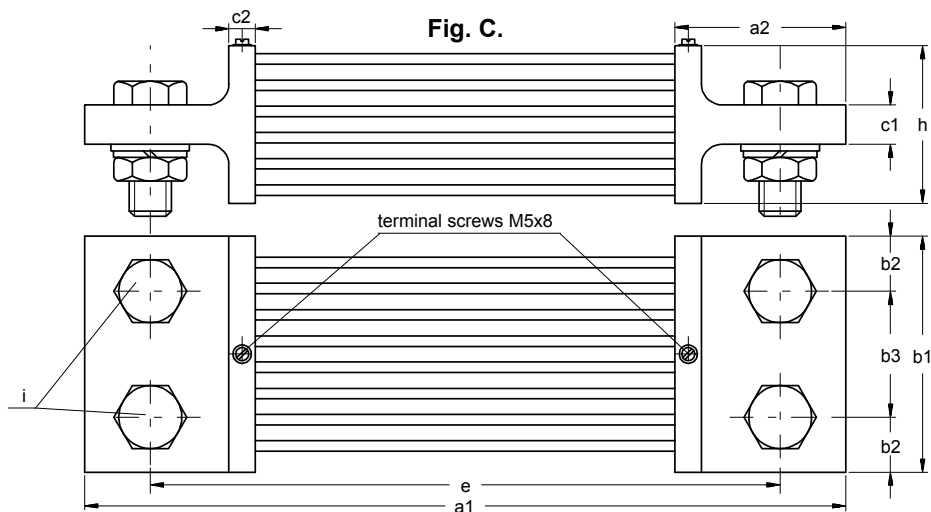
- Shunt.
- Type: S-1 1200 A
- Cat. No. 0798-90-002



# SHUNTS



Shunts type: S-2												
Voltage drop: 150 mV												
Rated current	Fig.	Cat. No.	Dimensions [mm]									
			a1	a2	b1	b2	b3	c1	c2	e	h	i
1 A	A.	0795-90-010	90	28	20	---	---	8	---	78	---	M5x12
1.5 A		-011	90	28	20	---	---	8	---	78	---	M5x12
2.5 A	↓	-012	90	28	20	---	---	8	---	78	---	M5x12
4 A		-013	90	28	20	---	---	8	---	78	---	M5x12
5 A		-031	90	28	20	---	---	8	---	78	---	M5x12
6 A		-014	90	28	20	---	---	8	---	78	---	M5x12
10 A		-015	90	28	20	---	---	8	---	78	---	M5x12
15 A		-016	90	28	20	---	---	8	---	78	---	M5x12
20 A		-021	90	28	20	---	---	8	---	78	---	M5x12
25 A		-017	90	28	20	---	---	8	---	78	---	M5x12
30 A		0796-90-013	225	33	25	---	---	8	---	205	---	M8x15
40 A		-009	225	33	25	---	---	8	---	205	---	M8x15
50 A		-014	225	33	25	---	---	8	---	205	---	M8x15
60 A		-010	225	33	25	---	---	8	---	205	---	M8x15
80 A		-015	225	33	25	---	---	8	---	205	---	M8x15
100 A		-011	225	33	25	---	---	8	---	205	---	M8x15
150 A		-012	225	33	25	---	---	8	---	205	---	M8x15
200 A	B.	0797-90-013	270	55	30	15	---	10	10	230	50	M12x40
250 A		-008	270	55	30	15	---	10	10	230	50	M12x40
300 A	↓	-014	270	55	40	20	---	10	10	230	50	M16x45
400 A		-009	270	55	40	20	---	10	10	230	50	M16x45
500 A		-015	270	55	40	20	---	10	10	230	50	M16x45
600 A		-010	270	55	40	20	---	10	10	230	50	M16x45
1000 A		-011	290	65	70	35	---	10	10	240	60	M20x50
1200 A	C.	0798-90-015	290	65	90	21	48	15	10	240	60	M16x60
1500 A		2523-90-001	290	65	90	21	48	15	10	240	60	M16x60
2000 A	↓	-002	290	65	120	30	60	15	10	240	60	M20x60
2500 A		-003	290	65	120	30	60	15	10	240	60	M20x60
3000 A		-004	290	65	120	30	60	15	10	240	60	M20x75
4000 A		-005	300	70	120	30	60	25	15	250	130	M20x75
5000 A		-006	300	70	154	25	52	25	15	250	130	M20x75
6000 A		-007	300	70	154	25	52	25	15	250	130	M20x75
8000 A		-008	310	75	206	25	52	30	20	260	170	M20x80
10000 A		-009	310	75	206	25	52	30	20	260	170	M20x80
12000 A		-010	310	75	310	25	52	30	20	260	170	M20x80
15000 A		-011	310	75	310	25	52	30	20	260	170	M20x80



### Order specification 2:

- Shunt.  
- Range: 2500 A, 150 mV.

### Ordering data 2:

- Shunt.  
- Type: **S-2, 2500 A**  
- Cat. No. **2523-90-003**