

MAK74/20

For currents from 30A to 400A
 Type: ring / busbar
 Standards: acc. to BS 3938, EN 60044-1.

Technical data:

Class of accuracy: 0.2S ... 3 (see table).
Rated burden: max. 15 VA (see table).
Rated voltage: 720 V.
Rated frequency: 50-60 Hz.
Rated sec. current: 5 A (or 1 A on request).
Security factor: FS 5 FS10
Working temperature range: -20 ... +45°C.
High voltage test: 4 kV_{eff}, 50 Hz, 1 min.
Insulation class: E (max. 120°C)
Protection: IP 00.
Case: non-flammable plastic, UL 94 V-0.



Rated primary current I_n	Acc. cl.	Type: MAK 74/20					
		Busbar hole 21x11 mm (see fig)					
		Rated burden [VA]					
		1	1.5	2.5	3.75	5	7.5
30 A	0.5						
	1						
	3		x				
40 A	0.5						
	1	x					
	3			x			
50 A	0.5						
	1		x				
	3				x		
60 A	0.5						
	1			x			
	3				x		
75 A	0.5						
	1				x		
	3					x	
80 A	0.5		x				
	1				x		
	3					x	
100 A	0,2S		x				
	0,5S		x				
	0,2		x				
	0,5			x			
125 A	1					x	x
	0,2S		x	x			
	0,5S		x	x			

Rated primary current I_n	Acc. cl.	Type: MAK 74/20								
		Busbar hole 21x11 mm (see fig)								
		Rated burden [VA]								
		1	1,5	2,5	3,75	5	7,5	10	12,5	15
150 A	0,2S		x	x						
	0,5S		x	x						
	0,2		x	x						
200 A	0,5					x	x	x	x	
	1					x	x	x	x	
	0,2S		x	x						
250 A	0,5S		x	x	x					
	0,2						x	x	x	
	0,5					x	x	x	x	
300 A	1				x	x	x	x	x	
	0,2S			x	x					
	0,5S			x	x					
400 A	0,2						x	x	x	x
	0,5						x	x	x	x
	1	x		x	x	x				
	0,2S									

Order specification:

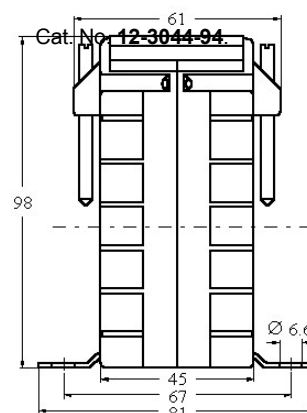
- Ring-type current transformer
- Class of accuracy: 1
- Rated primary current: 80 A.
- Rated secondary current: 1 A.
- Rated burden: 3,75 VA
- Busbar dimension: 20x10 mm

MAK	80/1 A	Cl. 1	3,75VA
74/20			

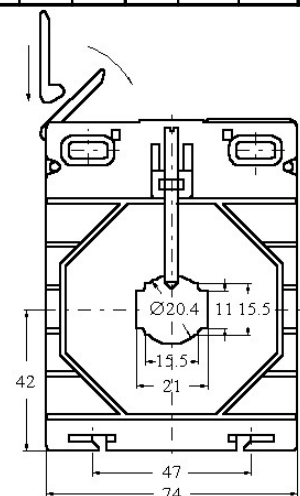
Note:

- On request orders for types different from table are accepted.
- On request order for clip for DIN EN 50 022 rail are accepted.

Dimension in mm



Weight: 580...680gr



MAK74/20d

These current transformers can be used two range by re-switching the secondary windings.



CURRENT TRANSFORMERS



Rated primary current I_n	Acc. cl.	Type: MAK 74/20d		
		Busbar hole 21x11 mm (see fig)		
		Rated burden [VA]		
		5-2,5	10-5	15-7,5
100-50 A	0,5 1 3	x		
150-75 A	0,5 1 3	x	x	
200-100 A	0,5 1 3		x	x
300-150 A	0,5 1 3		x x	x
400-200 A	0,5 1 3		x x	x

MAK 74/20t

These current transformers can be used three range by re-switching the secondary windings.

Rated primary current I_n	Acc. cl.	Type, MAK 74/20t	
		Busbar hole 21x11 mm (see fig)	
		Rated burden [VA]	
		10-5-2,5	20-10-5
200-100-50 A	0,5 1 3	x	
300-150-75 A	0,5 1 3	x	x
400-200-100 A	0,5 1 3	x	x

Order specification:

- Ring-type current transformer. 1
- Class of accuracy: 300-150-75 A
- Rated primary current: 1 A
- Rated secondary current: 10-5-2,5 VA
- Rated burden: 20x10 mm
- Rated burden:
- Busbar dimension:

MAK 74/20t	300-150-75/1A	Cl. 1	10-5-2,5VA
------------	---------------	-------	------------

