

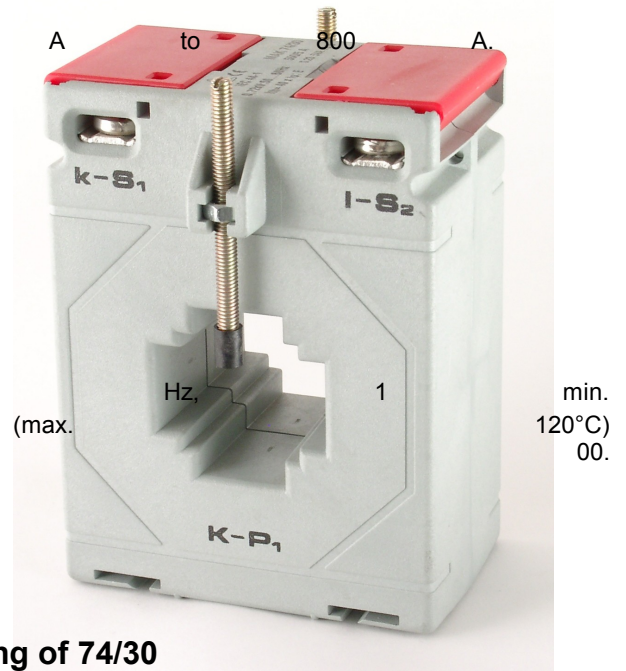
## MAK74/30

For currents from 40 A to 800 A.  
 Type: ring / busbar  
 Standards: acc. to BS 3938, EN 60044-1

### Technical data:

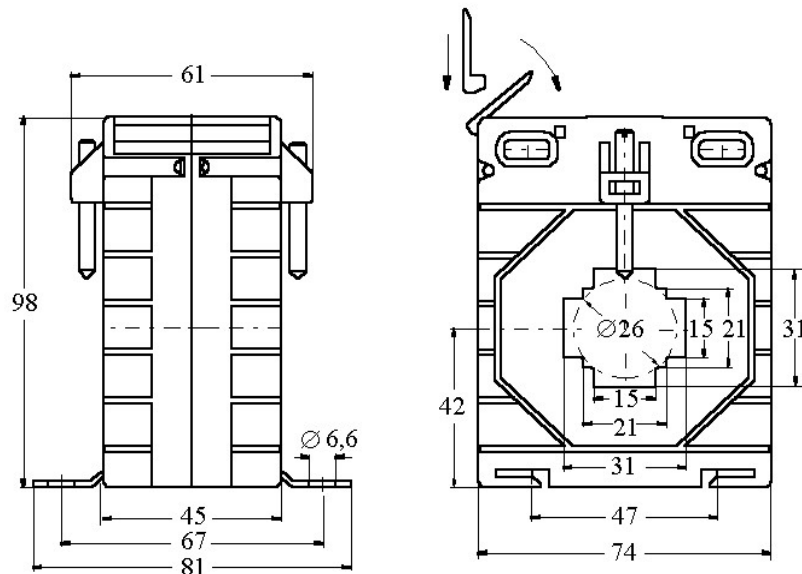
**Class of accuracy:** 0.2S ... 3 (see table).  
**Rated burden:** max. 20 VA (see table).  
**Rated voltage:** 720 V.  
**Rated frequency:** 50-60 Hz.  
**Rated sec. current:** 5 A (or 1 A on request).  
**Working temperature range:** -20 ... +45°C.  
**Security factor:** FS 5 FS10

**High voltage test:** 4 kV<sub>eff</sub>.  
**Insulation class:** E  
**Protection:** IP  
**Case:** non-flammable plastic, UL 94 V-0.



Outline drawing of 74/30

Dimension in mm.



Weight: 550...650gr

### Order specification:

- Ring-type current transformer
- Class of accuracy: 1
- Rated primary current: 80 A.
- Rated burden: 3,75 VA
- Busbar dimension: 30x15 mm

**MAK 74/30 80/1 A Cl. 1 3,75VA**

### Note:

- On request orders for types different from table are accepted.
- On request order for clip for DIN EN 50 022 rail are accepted.
- Cat. No. **12-3044-94**.

Different types of MAK 74/30 current transformers see table on next page

Rated primary		<b>Type: MAK 74/30</b>
Acc.		<b>Max. busbar hole dimension: 31x15 mm (see outline drawing)</b>



# CURRENT TRANSFORMERS



current	class	Rated burden (VA)										
		1	1.5	2.5	3.75	5	7.5	10	12.5	15	20	30
$I_n$												
40 A	0,5 1 3		x	x								
50 A	0,5 1 3		x	x								
60 A	0,5 1 3			x	x							
75 A	0,5 1 3		x	x	x							
80 A	0,5 1 3		x		x	x						
100 A	0,2S 0,5S	x x										
	0,2 0,5		x	x								
	1 3					x	x					
125 A	0,2S 0,5S		x x	x								
	0,2 0,5		x	x								
	1 3					x	x					
150 A	0,2S 0,5S		x x	x x								
	0,2 0,5		x		x							
	1 3					x	x					
200 A	0,2S 0,5S		x x	x x								
	0,2 0,5			x		x						
	1 3					x	x	x	x			
250 A	0,2S 0,5S		x x	x x								
	0,2 0,5			x		x	x					
	1 3					x	x	x		x		
300 A	0,2S 0,5S	x x	x	x								
	0,2 0,5					x x		x				
	1 3					x		x		x x	x	
400 A	0,2S 0,5S			x	x							
	0,2 0,5					x x	x	x	x			
	1					x		x	x	x		
500 A	0,2S 0,5S				x x	x						
	0,2 0,5					x x		x		x		
	1					x		x		x	x	
600 A	0,2S 0,5S					x x						
	0,2 0,5					x x		x		x		
	1					x		x		x	x	
750 A	0,2S 0,5S					x x	x					
	0,2 0,5					x x		x		x	x	
	1					x		x		x		x
800 A	0,2S 0,5S					x x		x				
	0,2 0,5					x x		x		x		x
	1					x		x		x		x

## MAK74/30d

These current transformers can be used two range by re-switching the secondary windings.

Rated primary	Acc.	Type: MAK 74/30d
		Busbar hole 31x15 mm (see fig)



# CURRENT TRANSFORMERS



current $I_n$	cl.	Rated burden [VA]		
		5-2,5	10-5	15-7,5
150-75 A	0.5			
	1	x		
	3			
200-100 A	0,5			
	1	x		
	3		x	
300-150 A	0.5	x		
	1		x	
	3			
400-200 A	0.5	x		
	1		x	
	3			
500-250 A	0.5	x		
	1		x	
	3			
600-300 A	0.5		x	
	1		x	
	3			x
800-400 A	0.5		x	x
	1		x	x
	3			

## MAK 74/30t

These current transformers can be used three range by re-switching the secondary windings.

Rated primary current $I_n$	Acc. cl.	Type: MAK 74/30t		
		Busbar hole 31x15 mm (see fig)		
		Rated burden [VA]		
		10-5-2,5	20-10-5	30-15-7,5
200-100-50A	0,5			
	1	x		
	3			
300-150-75A	0,5			
	1	x		
	3			
400-200-100A	0,5			
	1		x	
	3		x	
600-300-150A	0,5	x		
	1		x	
	3		x	
800-400-200A	0,5	x		
	1		x	
	3			x

### Order specification:

- Three range current transformer.
- Class of accuracy: 0,5
- Rated primary current: 800-400-200 A
- Rated secondary current 5A
- Rated burden: 10-5-2,5 VA
- Busbar dimension 30x15mm

<b>MAK 74/30t</b>	<b>800-400-200/5A</b>	<b>Cl. 0,5</b>	<b>10-5-2,5 VA</b>
-------------------	-----------------------	----------------	--------------------