

MAK74/30R

For currents from 40
 Type: ring
 Standards: acc. to BS 3938, EN 60044-1.

Technical data:

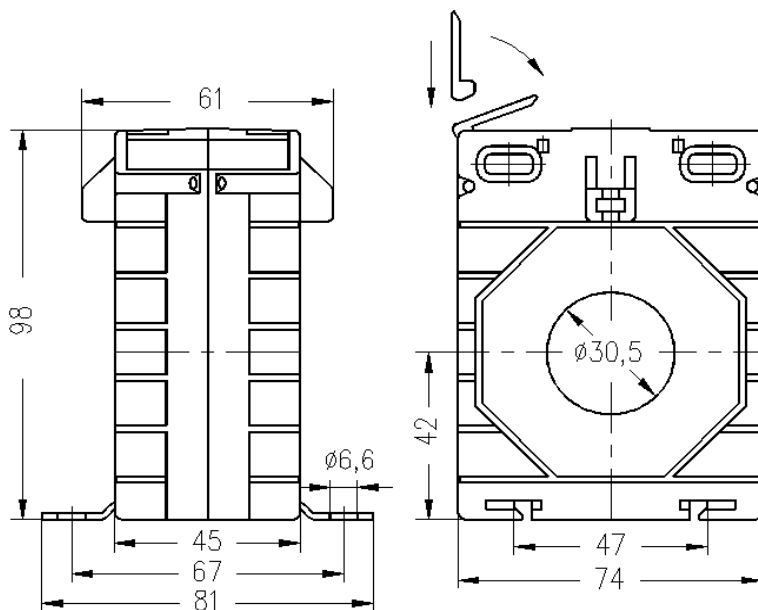
Class of accuracy: 0.2S ... 3 (see table).
Rated burden: max. 30 VA (see table).
Rated voltage: 720 V.
Rated frequency: 50-60 Hz.
Rated sec. current: 5 A (or 1 A on request).
Working temperature range: -20 ... +45°C.
Security factor: FS 5 FS10
High voltage test: 4 kV_{eff}, 50
Insulation class: E
Protection: IP
Case: non-flammable plastic, UL 94 V-0.



in.
°C)
00.

Outline drawing of MAK 74/30R

Dimension in mm



Weight: 550...650gr

Order specification:

- Ring-type current transformer
- Class of accuracy: 1
- Rated primary current: 80 A.
- Rated secondary current: 1 A.

Rated burden: 3,75 VA
 -Busbar dimension: \varnothing 30,5mm

MAK74/30R 80/1 A Cl. 1 3,75VA

Note:

- On request orders for types different from table are accepted.
- On request order for clip for DIN EN 50 022 rail are accepted.
- Cat. No. **12-3044-94**.

Different types of MAK 74/30 current transformers see table on next page



CURRENT TRANSFORMERS



Rated primary current	Acc. class	Type: MAK 74/30R										
		Busbar hole Ø 30,5 mm										
		Rated burden (VA)										
I_n		1	1.5	2.5	3.75	5	7.5	10	12.5	15	20	30
40 A	0,5											
	1		x	x								
	3											
50 A	0,5											
	1		x									
	3			x								
60 A	0,5											
	1			x								
	3				x							
75 A	0,5		x									
	1			x								
	3				x							
80 A	0,5		x									
	1											
	3				x			x				
100 A	0,2S	x										
	0,5S	x										
	0,2		x									
	0,5			x								
125 A	0,2S		x	x								
	0,5S		x	x								
	0,2		x									
	0,5			x								
150 A	0,2S		x	x								
	0,5S		x	x								
	0,2		x									
	0,5				x							
200 A	0,2S		x	x								
	0,5S		x	x								
	0,2			x								
	0,5					x						
250 A	0,2S		x	x								
	0,5S		x	x								
	0,2			x								
	0,5					x	x					
300 A	0,2S	x	x	x								
	0,5S			x								
	0,2					x						
	0,5					x		x				
400 A	0,2S			x	x							
	0,5S				x							
	0,2					x	x					
	0,5					x	x	x	x			
500 A	0,2S				x							
	0,5S				x							
	0,2					x		x		x		
	0,5					x		x		x	x	
600 A	0,2S					x						
	0,5S					x						
	0,2					x		x		x		
	0,5					x		x		x	x	
750 A	0,2S					x	x					
	0,5S					x	x					
	0,2					x		x		x	x	
	0,5					x		x		x	x	
800 A	0,2S					x		x				
	0,5S					x		x		x		
	0,2					x		x		x		x
	0,5					x		x		x		x

MAK74/30Rd

These current transformers can be used two range by re-switching the secondary windings.



CURRENT TRANSFORMERS



Rated primary current I_n	Acc. cl.	Type: MAK 74/30Rd		
		Busbar hole \varnothing 30,5mm		
		Rated burden [VA]		
		5-2,5	10-5	15-7,5
150-75 A	0.5 1 3	x		
200-100 A	0,5 1 3	x	x	
300-150 A	0.5 1 3	x	x	
400-200 A	0.5 1 3	x	x	
500-250 A	0.5 1 3	x	x	
600-300 A	0.5 1 3		x x	x
800-400 A	0.5 1 3		x x	x x

Order specification:

- Three range current transformer.
- Class of accuracy: 0,5
- Rated primary current: 400-200 A
- Rated secondary current 5A
- Rated burden: 5-2,5 VA
- Busbar dimension \varnothing 30,5mm

MAK 74/30Rd	400-200/5A	Cl. 0,5	5-2,5 VA
--------------------	-------------------	----------------	-----------------