

MAK74/50

For currents from 100 A to 1000 A

Type: ring / busbar

Standards: acc. to BS 3938, EN 60044-1

Technical data:

Class of accuracy:	0.2S ... 3 (see table).
Rated burden:	max. 15 VA (see table).
Rated voltage:	720 V.
Rated frequency:	50-60 Hz.
Rated sec. current:	5 A (or 1 A on request).
Security factor:	FS 5 FS10
Working temperature range:	-20 ... +45°C.
High voltage test:	4 kV _{eff} 50 Hz, 1 min.
Insulation class:	E (max. 120°C)
Protection:	IP 00.
Case:	non-flammable plastic, UL 94 V-0



Rated primary current I_n	Acc. cl.	Type: MAK 74/50						
		Max. busbar hole 51x12,5 mm (see fig.)						
		Rated burden (VA)						
		1	1.5	2.5	3.75	5	7.5	10
100 A	0,5		x					
	1							
	3							
125 A	0,5		x					
	1							
	3			x				
150 A	0,5			x				
	1				x			
	3					x		
200 A	0,5		x					
	1				x			
	3					x		
250 A	0,2S		x					
	0,5S		x					
	0,2		x					
	0,5			x				
300 A	0,2S		x					
	0,5S	x	x	x				
	0,2		x					
	0,5					x		
400 A	0,2S							
	0,5S	x	x	x				
	0,2			x				
	0,5					x		
1000 A	0,2S							
	0,5S	x	x					
	0,2					x	x	
	0,5					x	x	x

Rated primary current I_n	Acc. cl.	Type: MAK 74/50						
		Max. busbar hole 51x12,5 mm (see fig.)						
		Rated burden (VA)						
		2,5	3,75	5	7,5	10	12,5	15
500 A	0,2S	x						
	0,5S		x					
	0,2			x	x			
600 A	0,2S			x				
	0,5S	x	x	x				
	0,2			x	x			
750 A	0,2S			x				
	0,5S		x	x	x			
	0,2			x		x		
	0,5			x		x	x	
800 A	0,2S			x				
	0,5S			x		x		
	0,2			x		x	x	
	0,5			x		x	x	x
1000 A	0,2S			x				
	0,5S			x		x		
	0,2			x		x	x	
	0,5			x		x	x	x

Order specification:

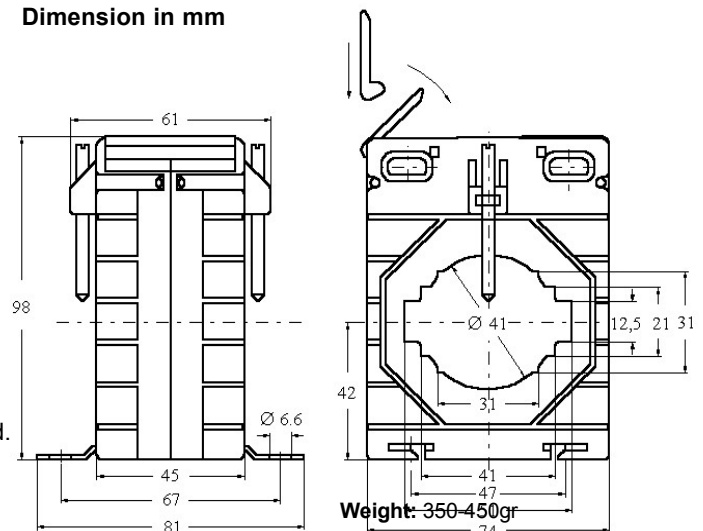
- Ring-type current transformer
- Class of accuracy: 1
- Rated primary current: 400 A.
- Rated secondary current: 5 A.
- Rated burden: 5 VA
- Busbar dimension 50x12,5 mm or Ø41

MAK 74/50 400/5 A Cl. 1 5VA

Note:

- On request orders for types different from table are accepted.
 - On request order for clip for DIN EN 50 022 rail are accepted.
- Cat. No. 12-3044-94.

Dimension in mm



MAK74/50d

These current transformers can be used two range by re-switching the secondary windings.

Rated primary current I_n	Ac. cl.	Type: MAK 74/50d		
		Busbar hole 51x12,5 mm (see fig.)		
		Rated burden (VA)		
		5-2,5	10-5	15-7,5
300-150 A	0,5 1 3	x		
400-200 A	0,5 1 3	x		
500-250 A	0,5 1 3	x x	x	
600-300 A	0,5 1 3		x x	x
800-400 A	0,5 1 3		x x	x
1000-500 A	0,5 1 3		x x	x

MAK 74/50t

These current transformers can be used three range by re-switching the secondary windings.

Rated primary current I_n	Ac. cl.	Type: MAK 74/50t		
		Busbar hole 51x12,5 mm (see fig.)		
		Rated burden (VA)		
		10-5-2,5	20-10-5	30-15-7,5
400-200-100 A	0,5 1 3	x	x	
500-250-125 A	0,5 1 3	x	x	
600-300-150 A	0,5 1 3		x	
800-400-200 A	0,5 1 3	x	x	x
1000-500-250 A	0,5 1 3	x	x	x

Order specification:

- Ring-type current transformer
- Class of accuracy: 0,5
- Rated primary current: 1000-500-250 A.
- Rated secondary current: 5 A.
- Rated burden: 10-5-2,5 VA
- Busbar dimension: 50x12,5 mm

MAK 74/50t	1000-500-250/5A	Cl. 0,5	10-5-2,5VA
------------	-----------------	---------	------------