



MAK 74/W

For currents from 1 A to 50 A

Type: primary winding

standards: acc. to BS 3938, EN 60044-1

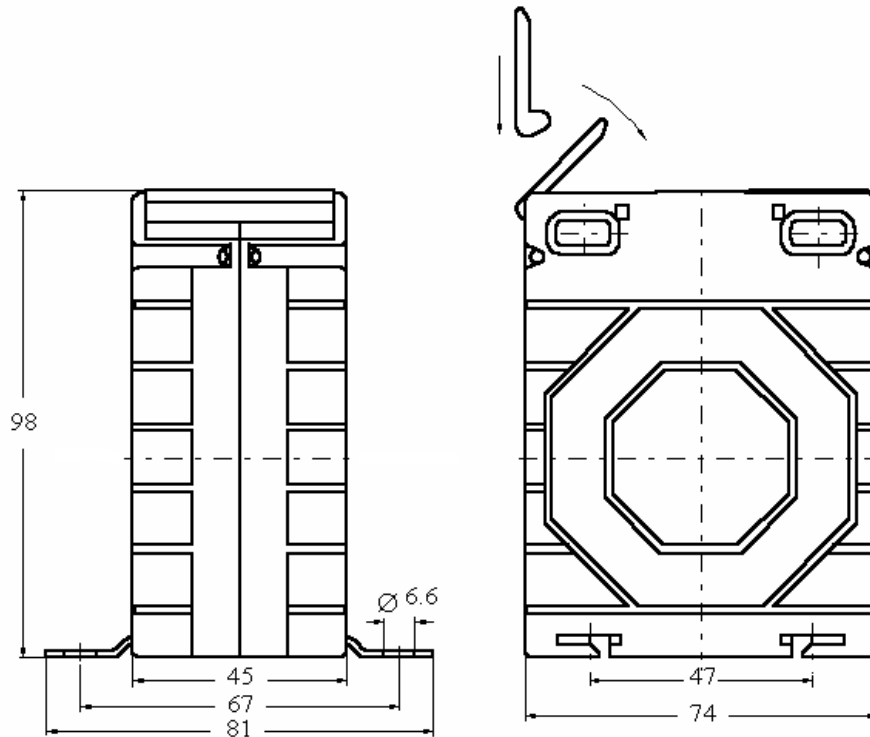
Technical data:

Class of accuracy:	0.2S ... 1 (see table).
Rated burden:	max. 15 VA (see table).
Rated voltage:	720 V.
Rated frequency:	50-60 Hz.
Rated sec. current:	5 A (or 1 A on request).
Security factor:	<input type="checkbox"/> FS 5 <input type="checkbox"/> FS10
Working temperature range:	-20 ... +45°C.
High voltage test:	4 kV _{eff} , 50 Hz, 1 min.
Insulation class:	E (max. 120°C)
Protection:	IP 00.
Case:	non-flammable plastic, UL 94 V-0.



Outline drawing of 74/W

Dimension in mm.



Weight: 385 ... 440 gr

Order specification:

- Ring-type current transformer
- Class of accuracy: 0,5
- Rated primary current: 25 A.
- Rated secondary current: 5 A.
- Rated burden: 15 VA

Note:

- On request orders for types different from table are accepted
 - On request order for clip for DIN EN 50 022 rail are accepted
- Cat. No. 12-3044-94

MAK 74/W 25/5A Cl. 0,5 15VA

Different types of MAK 74/W current transformers see table on next page

Rated primar	Acc.	Type: MAK 74 / W	Primary
--------------	------	------------------	---------



CURRENT TRANSFORMERS WITH PRIMARY WINDING



y current	class	Rated burden (VA)					terminal screw
		1	5	7,5	10	15	
I_n							
1 A	0,2S 0,5S	x	x	x			M4
	0,2 0,5 1		x x x		x x	x x	
2,5 A	0,2S 0,5S	x	x	x			
	0,2 0,5 1		x x x		x x	x x	
5 A	0,2S 0,5S	x	x	x			
	0,2 0,5 1		x x x		x x	x x	
7,5 A	0,2S 0,5S	x	x	x			
	0,2 0,5 1		x x x		x x	x x	
10 A	0,2S 0,5S	x	x	x			
	0,2 0,5 1		x x x		x x	x x	
15 A	0,2S 0,5S	x	x	x			
	0,2 0,5 1		x x x		x x	x x	
20 A	0,2S 0,5S	x	x	x			
	0,2 0,5 1		x x x		x x	x x	
25 A	0,2S 0,5S	x	x	x			
	0,2 0,5 1		x x x		x x	x x	
30 A	0,2S 0,5S	x	x	x			M5
	0,2 0,5 1		x x x		x x	x x	
40 A	0,2S 0,5S	x	x	x			
	0,2 0,5 1		x x x		x x	x	
50 A	0,2S 0,5S	x	x	x			
	0,2 0,5 1		x x x		x x	x x	