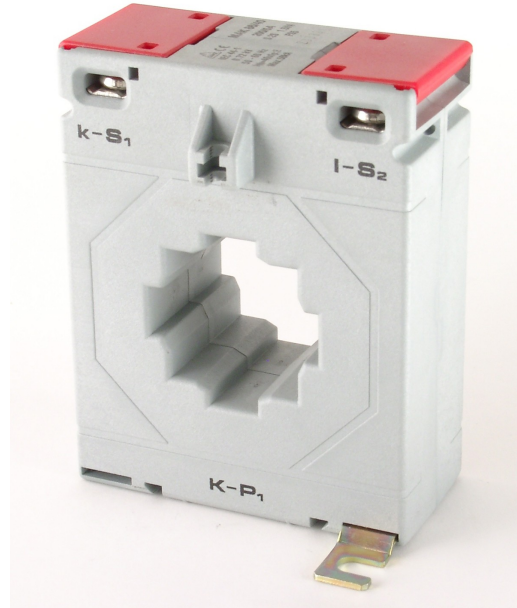


MAK 86/40

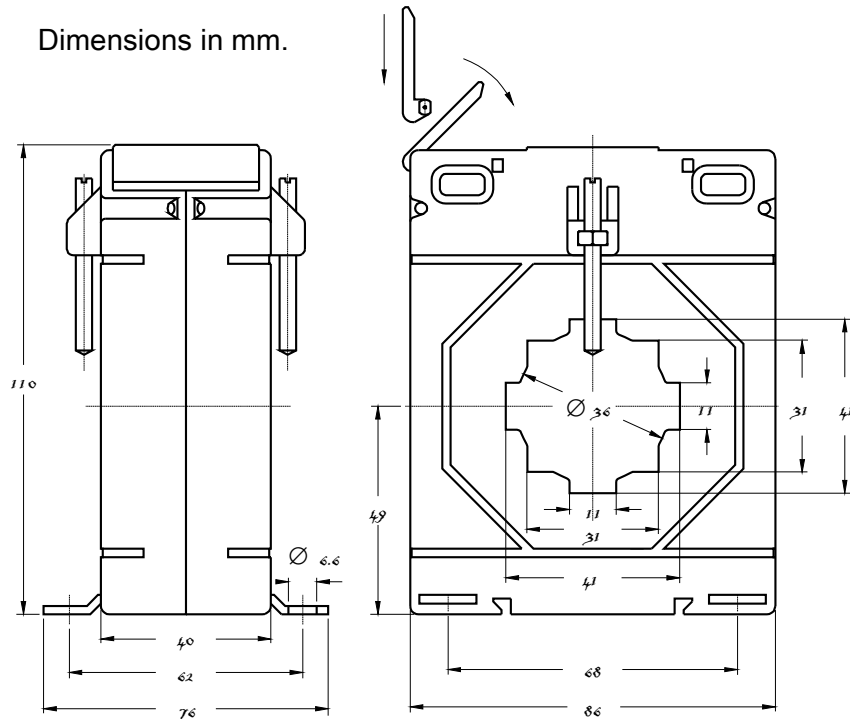
For currents from 60 A to 1000 A
 Type: ring / busbar
 Standard: acc. to BS 3938, EN 60044-1.

Technical data:

Class of accuracy: 0.2S ... 3 (see table).
Rated burden: max. 30 VA (see table).
Rated voltage: 720 V.
Rated frequency: 50-60 Hz.
Rated sec. current: 5 A (or 1 A on request).
Security factor: FS 5 FS10
Working temperature range: -20 ... +45 °C.
High voltage test: 4 kV_{eff}, 50 Hz, 1 min.
Insulation class: E (max. 120°C)
Protection: IP 00.
Case: non-flammable plastic, UL 94 V-0.



Outline drawing of MAK 86/40



Weight: 460...560gr

Order specification:

Ring-type current transformer.

Class of accuracy: 1
 Rated primary current: 150 A.
 Rated secondary current: 5 A.
 Rated burden: 5 VA
 Busbar dimension: 40x10 mm

MAK 86/40 150/5 A Cl. 1 5VA

Note:

on request orders for types different from table are accepted.
 On request order for DIN EN 50 022 rail are
 Cat. No. 12-3044-94.

Different types of MAK 86/40 current transformers see table on next page.



CURRENT TRANSFORMERS



Table with different types of MAK 86/40 current transformers.

Rated primary current I_n	Acc. class	Type: MAK 86/40									
		Busbar hole dimensions: 41x11 mm (see outline drawing)									
		Rated Burden [VA]									
		1.5	2.5	3.75	5	7.5	10	12.5	15	20	30
60 A	0.5										
	1	x									
	3		x								
75 A	0.5										
	1		x								
	3			x							
80 A	0.5										
	1		x								
	3			x							
100 A	0.2S	x									
	0.5S	x									
	0.2	x									
	0.5	x									
	1			x							
125 A	0.2S	x									
	0.5S	x									
	0.2	x									
	0.5		x								
	1				x						
150 A	0.2S	x	x								
	0.5S	x	x								
	0.2	x	x								
	0.5			x							
	1				x						
200 A	0.2S	x	x								
	0.5S	x	x								
	0.2		x								
	0.5				x						
	1				x	x					
250 A	0.2S	x									
	0.5S		x								
	0.2			x							
	0.5				x	x					
	1				x		x	x		x	
300 A	0.2S		x	x							
	0.5S		x	x							
	0.2				x						
	0.5				x						
400 A	0.2S		x	x							
	0.5S		x	x							
	0.2				x	x					
	0.5				x		x		x		
	1				x		x		x	x	
500 A	0.2S			x							
	0.5S				x						
	0.2				x						
	0.5				x		x		x	x	
	1				x		x		x		x
600 A	0.2S		x		x						
	0.5S				x	x					
	0.2				x		x		x		
	0.5				x		x		x		x
	1				x		x		x		x
750 A	0.2S				x						
	0.5S				x	x					
	0.2				x						
	0.5				x		x		x		x
	1				x		x		x		x
800 A	0.2S				x	x					
	0.5S				x		x		x		
	0.2				x		x		x		
	0.5				x		x		x		x
	1				x		x		x		x
1000 A	0.2S				x		x				
	0.5S				x		x		x		
	0.2				x		x		x		x
	0.5				x		x		x		x
	1				x		x		x		x

MAK 86/40d

These current transformers can be used two range by re-switching the secondary windings.

Rated primary current	Acc. cl.	Type: MAK 86/40d			
		Busbar hole 41x11 mm (see fig)			
		Rated burden [VA]			
I_n		5-2,5	10-5	15-7,5	30-15
200-100A	0,5 1 3	X			
300-150A	0,5 1 3	X	X		
400-200A	0,5 1 3	X	X		
500-250A	0,5 1 3		X X	X	
600-300A	0,5 1 3		X X	X	
800-400A	0,5 1 3			X X	X
1000-500A	0,5 1 3				X X

MAK 86/40t

These current transformers can be used three range by re-switching the secondary windings.

Rated primary current	Acc. cl.	Type: MAK 86/40t		
		Busbar hole 41x11mm (see fig)		
		Rated burden [VA]		
I_n		10-5-2,5	20-10-5	30-15-7,5
400-200-100A	0,5 1 3	X		
600-300-150A	0,5 1 3	X	X	
800-400-200A	0,5 1 3	X	X	X
1000-500-250A	0,5 1 3	X	X	X

-Rated secondary current 5A
-Rated burden: 10-5-2,5 VA

Order specification:

-Ring-type current transformer.
-Class of accuracy: 1
-Rated primary current: 600-300-150 A.

MAK 86/40t	600-300-150/5 A	Cl. 1	10-5-2,5VA
-------------------	------------------------	--------------	-------------------

-Busbar dimension: 40x10 mm