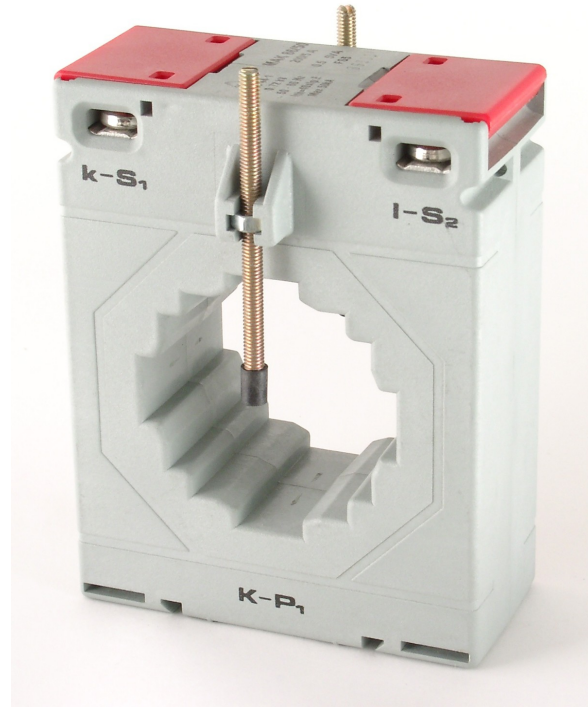


## MAK 86/50

For currents from 100 A to 1250 A  
 Type: ring / busbar  
 Standards: acc. to BS 3938, EN 60044-1.

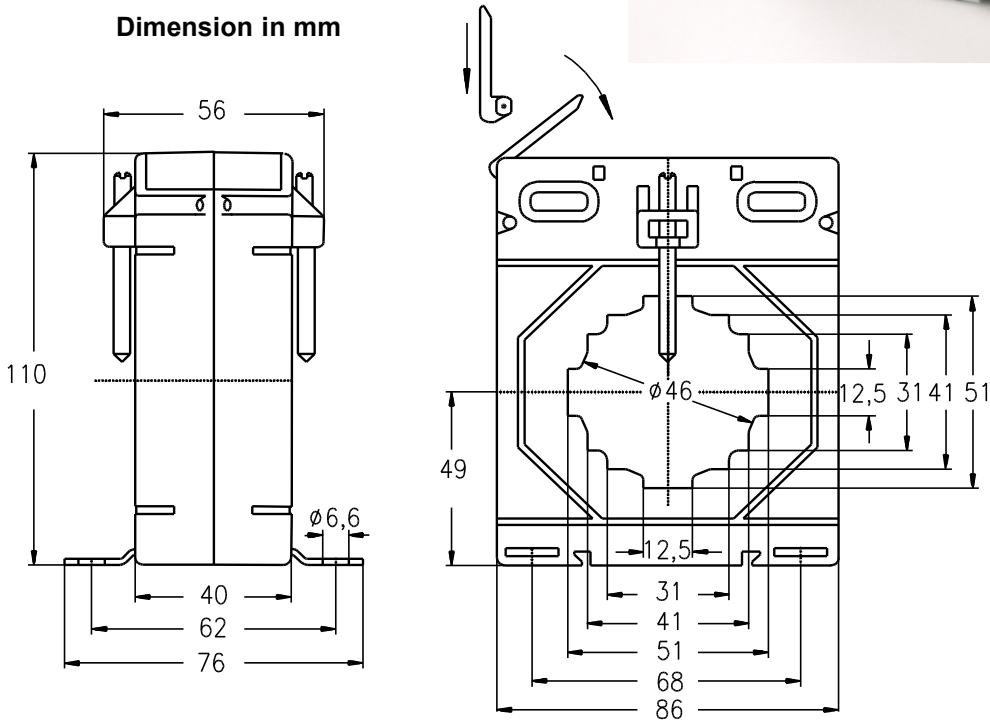
### Technical data

**Class of accuracy:** 0.2S ... 3 (see table).  
**Rated burden:** max. 30 VA (see table).  
**Rated voltage:** 720 V.  
**Rated frequency:** 50-60 Hz.  
**Rated sec. current:** 5 A (or 1 A on request).  
**Security factor:** FS5 FS10  
**Working temperature range:** -20 ... +45°C.  
**High voltage test:** 4 kV<sub>eff</sub>, 50 Hz, 1 min.  
**Insulation class:** E (max. 120°C)  
**Protection:** IP 00.  
**Case:** non-flammable plastic, UL 94 V-0.



### Outline drawing of MAK 86/50

Dimension in mm



Weight: 460...560gr

### Order specification:

Ring-type current transformer.  
 Class of accuracy: 0.5  
 Rated primary current: 800 A.  
 Rated secondary current: 5 A

burden: 15 VA  
 Busbar dimension: 50x12,5 mm or Ø 45 mm.

Rated

MAK 86/50	800/5	Cl. 0,5	15VA
	A		

**Note:** -On request orders for types different from table are accepted  
 -On request order for clip for DIN EN 50 022 rail are accepted  
 Cat. No. 12-3044-94.

Different types of MAK 86/50 current transformers see table on next page



# CURRENT TRANSFORMERS



Rated primary current $I_n$	Acc. class	Type: MAK 86/50									
		Busbar hole dimensions: 51x12,5 mm (see outline drawing)									
		Rated Burden (VA)									
		1.5	2.5	3.75	5	7.5	10	12.5	15	20	30
100 A	0,2										
	0,5	x									
	1		x								
	3										
125 A	0,2										
	0,5	x									
	1		x								
	3			x							
150 A	0,2										
	0,5		x								
	1				x						
	3				x	x					
200 A	0,2										
	0,5				x						
	1				x	x					
	3						x				
250 A	0,2										
	0,5				x	x					
	1				x		x				
	3							x			
300 A	0,2S	x	x								
	0,5S	x		x							
	0,2	x									
	0,5				x	x					
400 A	0,2										
	0,5										
	1										
	3										
500 A	0,2S		x	x							
	0,5S										
	0,2				x						
	0,5				x		x	x			
600 A	1				x		x		x		
	3				x		x			x	
	0,2S		x	x							
	0,5S										
750 A	0,2				x	x					
	0,5				x		x				
	1				x		x		x		
	3				x		x		x	x	
800 A	0,2S				x	x					
	0,5S				x						
	0,2				x		x	x			
	0,5				x		x		x	x	
1000 A	1				x		x		x		
	3				x		x		x	x	
	0,2S				x		x		x		
	0,5S				x		x		x		
1200 A	0,2				x		x		x		
	0,5				x		x		x		
	1				x		x		x		x
	3				x		x		x		x
1250 A	0,2S				x		x		x		
	0,5S				x		x		x		
	0,2				x		x		x		x
	0,5				x		x		x		x
1	1				x		x		x		x
	3				x		x		x		x

## MAK 86/50d

These current transformers can be used two range by re-switching the secondary windings.

Rated primary current $I_n$	Ac. cl.	Type: MAK 86/50d			
		Busbar hole 51x12,5 mm (see fig.)			
		Rated burden (VA)			
		5-2,5	10-5	15-7,5	30-15
200-100A	0,5 1 3	x			
300-150A	0,5 1 3	x	x		
400-200A	0,5 1 3	x	x		
500-250A	0,5 1 3	x	x		
600-300A	0,5 1 3		x x	X	
800-400A	0,5 1 3		x x	X	
1000-500A	0,5 1 3			X X	x
1200-600A	0,5 1 3			X X	x

## MAK 86/50t

These current transformers can be used three range by re-switching the secondary windings.

Rated primary current $I_n$	Ac. cl.	Type: MAK 86/50t		
		Busbar hole 51x12,5mm (see fig.)		
		Rated burden (VA)		
		10-5-2,5	20-10-5	30-15-7,5
400-200-100A	0,5 1 3	x		
600-300-150A	0,5 1 3	x	x	
800-400-200A	0,5 1 3	x	x	x
1000-500-250A	0,5 1 3	x	x	x
1200-600-300A	0,5 1 3	x	x	x

### Order specification:

-Ring-type current transformer.  
-Class of accuracy: 1

-Rated primary current: 600-300-150 A  
-Rated secondary current: 5A  
-Rated burden: 10-5-2,5 VA

<b>MAK 86/50t</b>	<b>600-300-150/5 A</b>	<b>Cl. 1</b>	<b>10-5-2,5VA</b>
-------------------	------------------------	--------------	-------------------