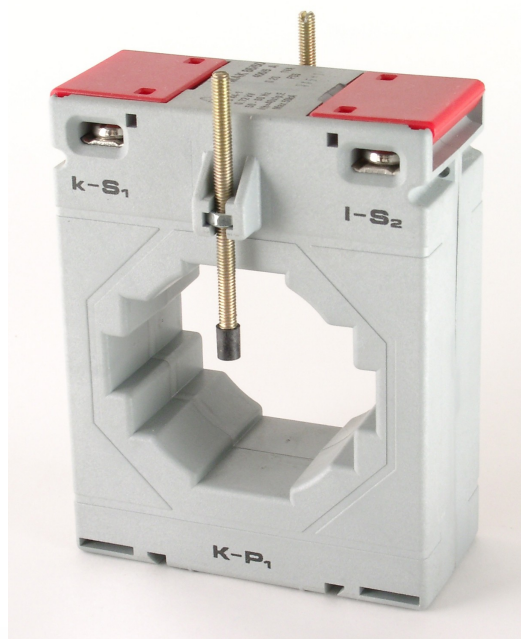


MAK 86/60

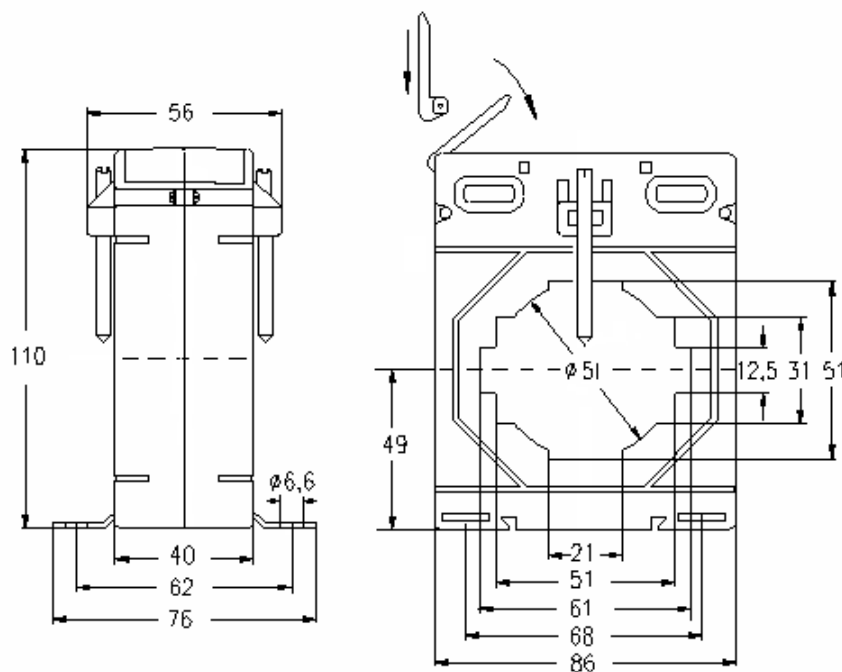
For currents from 100 A to 1600 A.
 Type: ring / busbar
 Standards: acc. to BS 3938, EN 60044-1.

Technical data:

Class of accuracy: 0.2S... 3 (see table).
Rated burden: max. 20 VA (see table).
Rated voltage: 720 V.
Rated frequency: 50-60 Hz.
Rated sec. current: 5 A (or 1 A on request).
Security factor: FS5 FS10
Working temperature range: -20 ... +45°C.
High voltage test: 4 kV_{eff} 50 Hz, 1 min.
Insulation class: E (max. 120°C)
Protection: IP 00
Case: made of non-flammable plastic, UL 94 V-0.



Outline drawing of 86/60
 Dimension in mm



Weight: 460...560gr

Order specification:

Ring-type current transformer.
 Class of accuracy: 0.5
 Rated primary current: 1000 A.
 Rated secondary current: 5 A
 Rated burden: 20 VA
 Busbar dimension: 60x12,5 mm or Ø 50 mm

MAK 86/60	1000/5 A	Cl. 0,5	20VA
------------------	-----------------	----------------	-------------

Note:

on request orders for types different from table are accepted.
 On request order for clip for DIN EN 50 022 rail are accepted.
 Cat. No. 12-3044-94.

Different types of MAK 86/60 current transformers see table on next page

Rated Primary	Acc.	Type: MAK 86/60
		Busbar hole dimensions: 61x12,5 mm (see outline drawing)



CURRENT TRANSFORMERS



Current I_n	class	Rated Burden (VA)								
		1.5	2.5	3.75	5	7.5	10	12.5	15	20
100 A	0.5 1 3	x								
125 A	0.5 1 3		x	x						
150 A	0.5 1 3		x	x						
200 A	0.5 1 3	x		x	x					
250 A	0.5 1 3		x		x	x				
300 A	0,2S	x	x							
	0,5S	x	x							
	0,2	x								
	0,5				x	x				
400 A	1				x					
	3				x		x			
	0,2S	x		x						
	0,5S		x	x						
500 A	0,2		x							
	0,5				x					
	1			x	x					
	3				x		x	x	x	
600 A	0,2S		x	x	x	x				
	0,5S				x					
	0,2				x				x	
	0,5				x		x		x	
750 A	1				x				x	
	3				x		x		x	x
	0,2S				x	x				
	0,5S				x					
800 A	0,2				x				x	
	0,5				x		x		x	x
	1				x		x		x	x
	3				x		x		x	x
1000 A	0,2S				x		x			
	0,5S				x		x			
	0,2				x		x		x	
	0,5				x		x		x	x
1200 A	1				x		x		x	x
	3				x		x		x	x
	0,2S				x		x		x	
	0,5S				x		x		x	
1250 A	0,2				x		x		x	
	0,5				x		x		x	x
	1				x		x		x	x
	3				x		x		x	x
1500 A	0,2S				x		x		x	
	0,5S				x		x		x	
	0,2				x		x		x	
	0,5				x		x		x	x
1600 A	1				x		x		x	x
	3				x		x		x	x
	0,2S				x		x		x	
	0,5S				x		x		x	

MAK 86/60d

These current transformers can be used two range by re-switching the secondary windings.

Rated	Type: MAK 86/60d
-------	------------------



CURRENT TRANSFORMERS



primary current I_n	Acc · cl.	Busbar hole 61x12,5 mm (see fig.)		
		Rated burden (VA)		
		5-2,5	10-5	15-7,5
300-150A	0,5 1 3	x		
400-200A	0,5 1 3	x	x	
500-250A	0,5 1 3	x	x	
600-300A	0,5 1 3	x	x	x
800-400A	0,5 1 3		x	x
1000-500A	0,5 1 3		x	x
1200-600A	0,5 1 3		x	x

MAK 86/60t

These current transformers can be used three range by re-switching the secondary windings.

Rated primary current I_n	Acc. cl.	Type: MAK 86/60t	
		Busbar hole 61x12,5mm (see fig.)	
		Rated Burden (VA)	
		10-5-2,5	20-10-5
800-400-200A	0,5 1 3	x	x
1000-500-250A	0,5 1 3	x	x
1200-600-300A	0,5 1 3	x	x

Order specification:

- Ring-type current transformer.
- Class of accuracy: 0,5
- Rated primary current: 1200-600-300 A.
- Rated secondary current: 5 A
- Rated burden: 10-5-2,5 VA
- Busbar dimension: 60x12,5 mm

MAK 86/60t 1200-600-300/5 A Cl. 0,5 10-5-2,5VA
