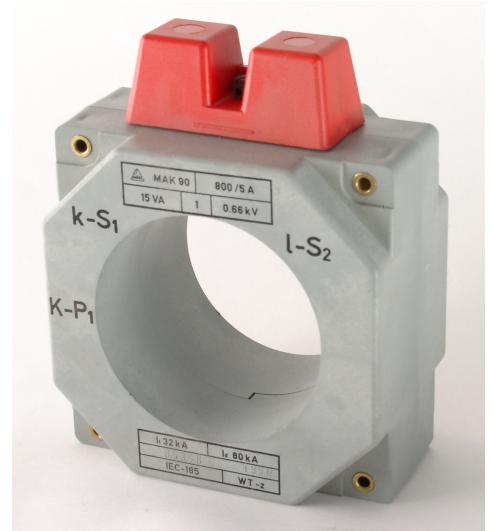


MAK90/26, MAK90/36, MAK90/52, MAK90/61

For currents from 40 A to 2000 A
Type: ring
Standards: acc. to BS 3938, EN60044-1

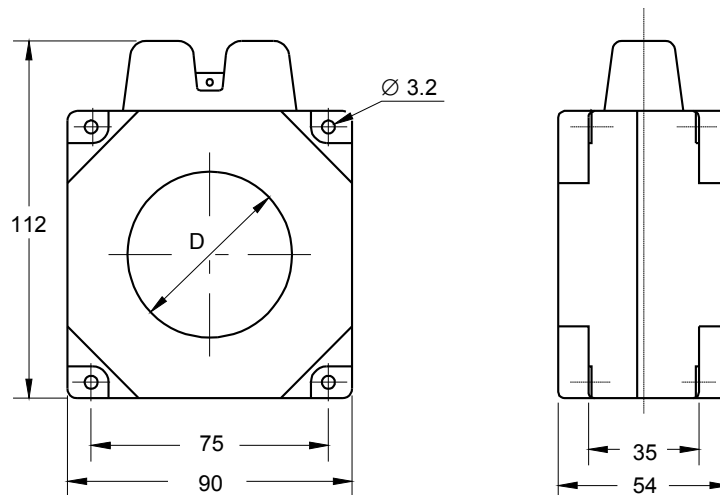
Technical data:

Class of accuracy: 0.2 ... 3 (see table).
Rated burden: max. 30 VA (see table).
Rated voltage: 720 V.
Rated frequency: 50-60 Hz.
Rated sec. current: 5 A (or 1 A on request).
Security factor: FS 5 FS10
Working temperature range: -20 ... +45°C.
High voltage test: 4 kV_{eff}, 50 Hz, 1 min.
Insulation class: E (max. 120°C)
Protection: IP 00.
Case: non-flammable plastic, UL 94 V-0.



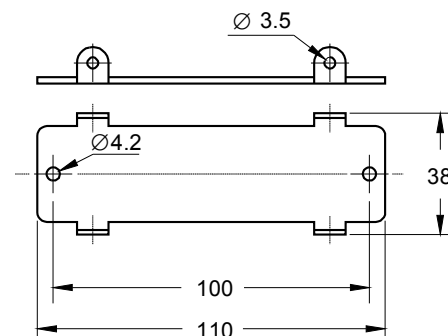
Outline drawing of MAK 90/26, MAK90/36, MAK90/52, MAK90/61

Dimensions in mm.



Accessory:

Base mounting
Cat. Nr. 12-1192-81



	Weight:	D
MAK 90/26	1100...1200gr	26 mm
MAK 90/36	900...1100gr	36 mm
MAK 90/52	700...900gr	52 mm
MAK 90/61	500...800gr	61 mm

Different types of MAK 90 current transformers see table on next page.



CURRENT TRANSFORMERS



Table with different types of MAK90/26 current transformers.

Rated primary current I_n	Acc. class	Type: MAK 90/26									
		Max. busbar hole dimension: D= Ø 26 mm (see outline drawing)									
		Rated Burden (VA)									
		1.5	2.5	3.75	5	7.5	10	12.5	15	20	30
40 A	0.5 1 3	x	x								
50 A	0.5 1 3	x	x		x						
60 A	0.5 1 3	x		x	x						
75 A	0.5 1 3		x		x	x					
80 A	0.5 1 3		x		x	x					
100A	0.5 1 3		x		x		x		x		
125A	0.5 1 3			x	x		x		x		
150A	0.2 0.5 1 3			x	x		x	x		x	
200A	0.2 0.5 1 3				x		x		x	x	
250A	0.2 0.5 1 3				x	x	x		x	x	
300A	0.2 0.5 1 3				x	x	x		x		

Order specification:

- Ring-type current transformer.
- Class of accuracy: 0.5
- Rated primary current: 300 A.
- Rated secondary current: 5 A
- Rated burden: 15 VA
- Busbar hole: Ø26 mm

MAK 90/26	300/5 A	Cl. 0,5	15VA
------------------	----------------	----------------	-------------

Note: -On request orders for types different from table are accepted. (also 0.2S / 0,5S).

Table with different types of MAK90/36 current transformers.

Rated	Type: MAK 90/36
-------	-----------------



CURRENT TRANSFORMERS



200A	0,5 1 3	x			x	x	x				
250A	0,2 0,5 1 3	x	x		x		x	x			
300A	0,2 0,5 1		x		x		x		x		
400A	0,2 0,5 1				x		x		x	x	
500A	0,2 0,5 1				x		x		x	x	
600A	0,2 0,5 1				x		x		x	x	
750A	0,2 0,5 1				x		x		x		x
800A	0,2 0,5 1				x		x		x		x
1000A	0,2 0,5 1				x		x		x		x
1200A	0,2 0,5 1				x		x		x		x
1250A	0,2 0,5 1				x		x		x		x

Order specification:

- Ring-type current transformer.
- Class of accuracy: 0.5
- Rated primary current: 800 A.
- Rated secondary current 5 A
- Rated burden: 15 VA
- Busbar hole: Ø52

MAK 90/52	800/5 A	Cl. 0,5	15VA
------------------	----------------	----------------	-------------

Note: -On request orders for types different from table are accepted. (also 0.2S / 0,5S).

Table with different types of MAK90/61 current transformers.

Rated primary current I_n	Acc. class	Type: MAK 90/61							
		Max. busbar hole dimension: D= Ø 61mm (see outline drawing)							
		Rated Burden (VA)							
		1.5	2.5	3.75	5	7.5	10	12.5	15
150A	0,2 0,5 1 3	x	x						
200A	0,2 0,5 1 3	x	x						
250A	0,2 0,5 1 3	x	x	x					
300A	0,2 0,5 1 3	x		x	x				
	0,2 0,5	x	x						



CURRENT TRANSFORMERS



400A	1				x	x	x		
	0,2								
	3								
500A	0,2		x						
	0,5				x				
	1				x		x		x
600A	0,2				x				
	0,5				x		x		x
	1				x		x		x
750A	0,2				x		x		
	0,5				x		x		x
	1				x		x		x
800A	0,2				x		x		
	0,5				x		x		x
	1				x		x		x
1000A	0,2				x		x		x
	0,5				x		x		x
	1				x		x		x
1200A	0,2				x		x		x
	0,5				x		x		x
	1				x		x		x
1250A	0,2				x		x		x
	0,5				x		x		x
	1				x		x		x
1500A	0,2				x		x		x
	0,5				x		x		x
	1				x		x		x
1600A	0,2				x		x		x
	0,5				x		x		x
	1				x		x		x
2000A	0,2				x		x		x
	0,5				x		x		x
	1				x		x		x

Order specification:

- Ring-type current transformer.
- Class of accuracy: 0.5
- Rated primary current: 2000 A.
- Rated secondary current: 5 A
- Rated burden: 15 VA
- Busbar hole: Ø 61 mm

MAK 90/61 2000/5A Cl. 0,5 15VA

Note: -On request orders for types different from table are accepted. (also 0.2S / 0,5S).