



CTC 104/60H-sw

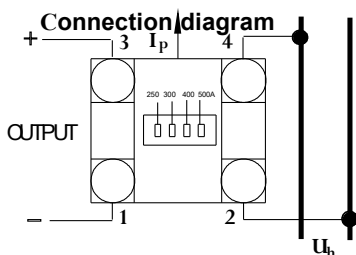
Combined current transformer and electronic transducer. The two components are built into the same case. The measuring range can be changed by a **DIP-switch**. The C.T. provides a galvanic isolation between the supply, input and output.

Technical data:

Class of accuracy:	0.5		
Rated voltage:	720 V		
Output (DC):	20 mA,	4...20 mA	10 V
Rated burden:	$R_L = 0 \dots 200 \Omega$		$R_L > 2 k$
Power supply:	230 V \pm 10%		
Rated frequency:	50...60 Hz		
Working temperature range:	0...+45°C		
High voltage test:	4 kV _{eff} , 50 Hz, 1 min.		
Insulation class:	E (max. 120°C)		
Protection:	IP 00		
Case:	non-flammable plastic, UL 94 V-0		

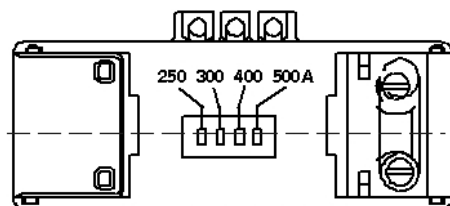
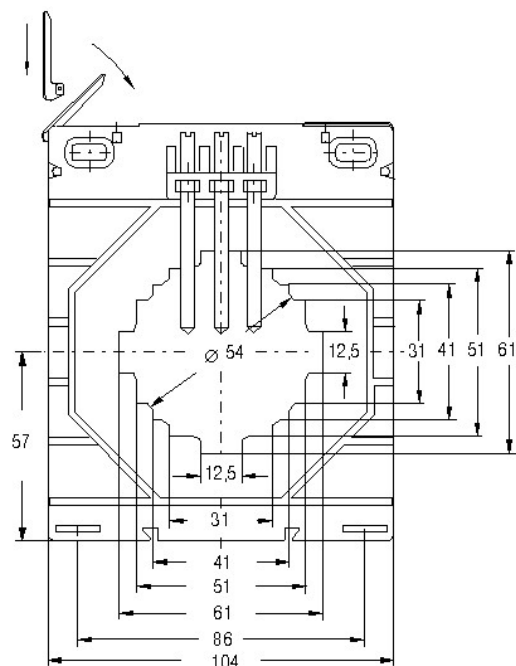
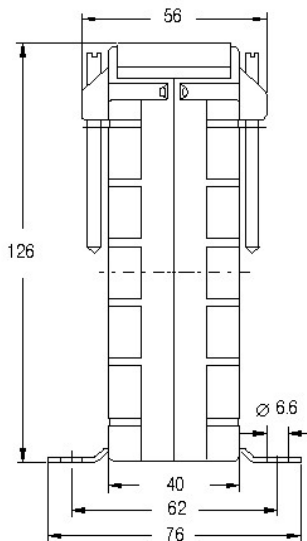


CTC 104/60H-sw	
CURRENT RANGE	OUTPUT
100A - 150A - 200A - 250A	4...20 mA
	0...20 mA
	0...10 V
250A - 300A - 400A - 500A	4...20 mA
	0...20 mA
	0...10 V
500A - 600A - 800A - 1000A	4...20 mA
	0...20 mA
	0...10 V



Order specification:

Current transformer with transducer and DIP-switch
 Input current: 250 - 300 - 400 - 500 A
 Output: 4...20 mA
 Class of accuracy: 0.5



Weight: 600...720gr

CTC 104/60H-sw 250 - 300 - 400 - 500 A 4...20 mA Cl. 0.5

On request orders for types different from table are accepted.
 On request order for clip for DIN EN 50 022 rail are accepted.
 Cat. No. 12-3044-94.