

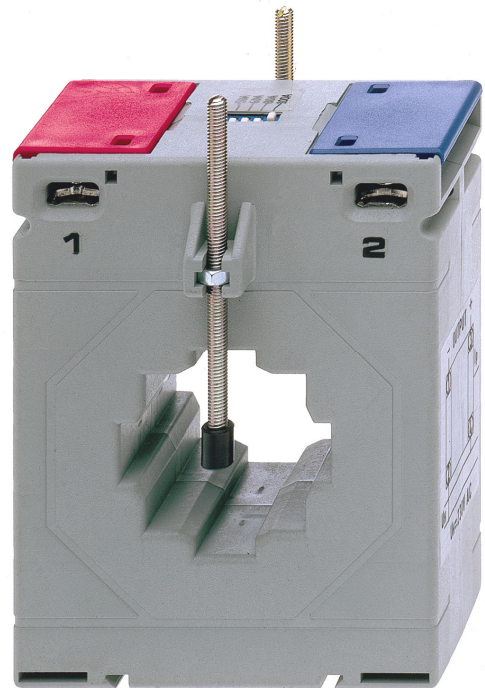


CTC 86/40H-sw

Combined current transformer and an electronic transducer.
 The two components are built into the same case.
 The measuring range can be changed by a **DIP-switch**.
 The C.T. provides a galvanic isolation between the supply, input and output.

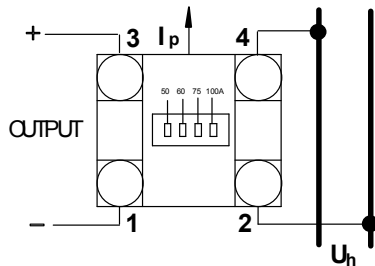
Technical data:

Class of accuracy: 0.5
Rated voltage: 720 V
Output (DC): 20 mA, 4...20 mA, 10 V
Rated burden: $R_L = 0 \dots 200 \Omega$, $R_L > 2 k$
Power supply: 230 V \pm 10%
Rated frequency: 50...60 Hz
Working temperature range: 0...+45°C
High voltage test: 4 kV_{eff}, 50 Hz, 1 min.
Insulation class: E (max. 120°C)
Protection: IP 00
Case: non-flammable plastic, UL 94 V-0



CTC 86/40H-sw	
CURRENT RANGE	OUTPUT
50A - 60A - 80A - 100A	4...20 mA
	0...20 mA
	0...10 V
100A - 150A - 200A - 250A	4...20 mA
	0...20 mA
	0...10 V
300A - 400A - 500A - 600A	4...20 mA
	0...20 mA
	0...10 V

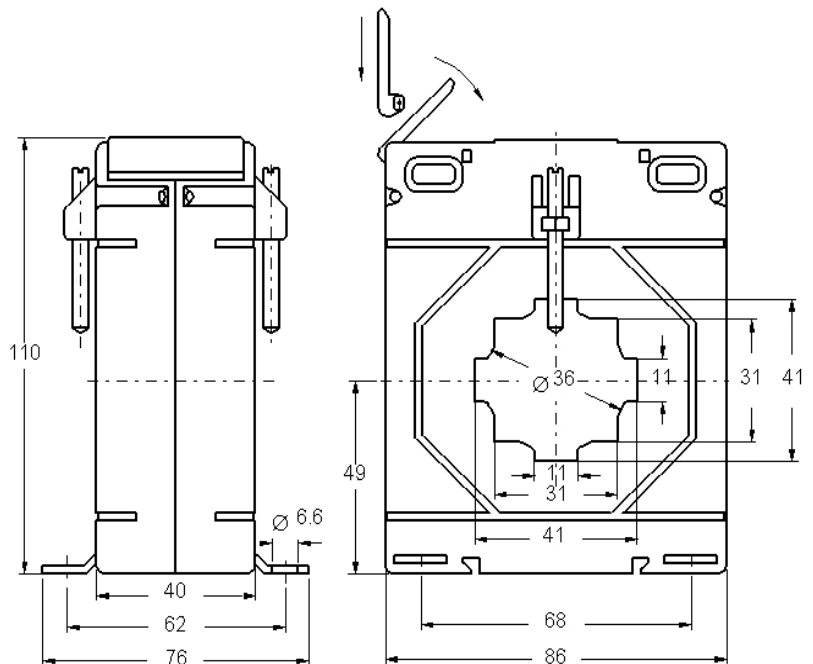
Connection diagram



Order specification:

Current transformer with transducer and DIP-switch
 Input current: 50 - 60 - 80 - 100 A
 Output: 4...20 mA
 Class of accuracy: 0.5

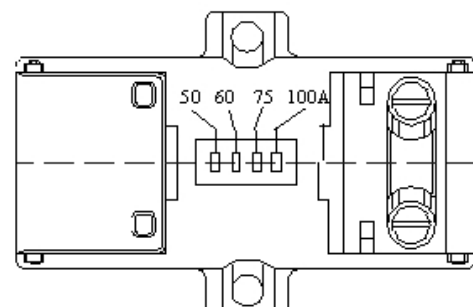
Outline drawing
 Dimensions in mm



CTC 86/40H-sw 50 - 60 - 80 - 100 A 4...20 mA Cl. 0.5

Note:

On request orders for types different from table are accepted.
 On request order for clip for DIN EN 50 022 rail are accepted.
 Cat. No. **12-3044-94**



Weight: 500-610 gr