



# CURRENT TRANSFORMERS WITH TRANSDUCER



## CTC 86/40H

Two in one: combination of current transformer and electronic transducer. The two components are built into the same case. The C.T. provides a galvanic isolation between the sensing circuit, the electronic circuit and mains.

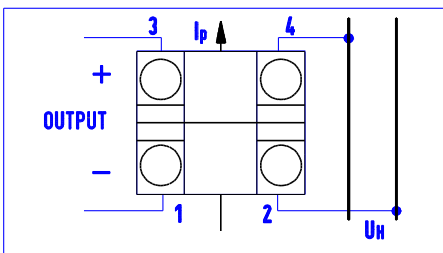
### Technical data:

<b>Class of accuracy:</b>	0.5
<b>Input:</b>	50...600 A AC
<b>Rated voltage:</b>	720 V.
<b>Output (DC):</b>	20 mA   4...20 mA   10 V
<b>Rated burden:</b>	$R_L = 0 \dots 200 \Omega$   $R_L > 2 k$
<b>Mains:</b>	230 V $\pm$ 10%
<b>Rated frequency:</b>	50-60 Hz.
<b>Working temperature range:</b>	0 ... +45°C
<b>High voltage test:</b>	4 kV <sub>eff</sub> , 50 Hz, 1 min.
<b>Insulation class:</b>	E (max. 120°C)
<b>Protection:</b>	IP 00.
<b>Case:</b>	non-flammable plastic, UL 94 V-0.



CTC 86/40H					
INPUT	OUTPUT	INPUT	OUTPUT	INPUT	OUTPUT
50 A	4 ... 20 mA	125 A	4 ... 20 mA	300 A	4 ... 20 mA
	0 ... 20 mA		0 ... 20 mA		0 ... 20 mA
	0 ... 10 V		0 ... 10 V		0 ... 10 V
60 A	4 ... 20 mA	150 A	4 ... 20 mA	400 A	4 ... 20 mA
	0 ... 20 mA		0 ... 20 mA		0 ... 20 mA
	0 ... 10 V		0 ... 10 V		0 ... 10 V
75 A	4 ... 20 mA	200 A	4 ... 20 mA	500 A	4 ... 20 mA
	0 ... 20 mA		0 ... 20 mA		0 ... 20 mA
	0 ... 10 V		0 ... 10 V		0 ... 10 V
100 A	4 ... 20 mA	250 A	4 ... 20 mA	600 A	4 ... 20 mA
	0 ... 20 mA		0 ... 20 mA		0 ... 20 mA
	0 ... 10 V		0 ... 10 V		0 ... 10 V

### Connection diagram



### Order specification:

AC current transformer with transducer  
 Input current: 500 A  
 Output: 0...20 mA  
 Class of accuracy: 0.5

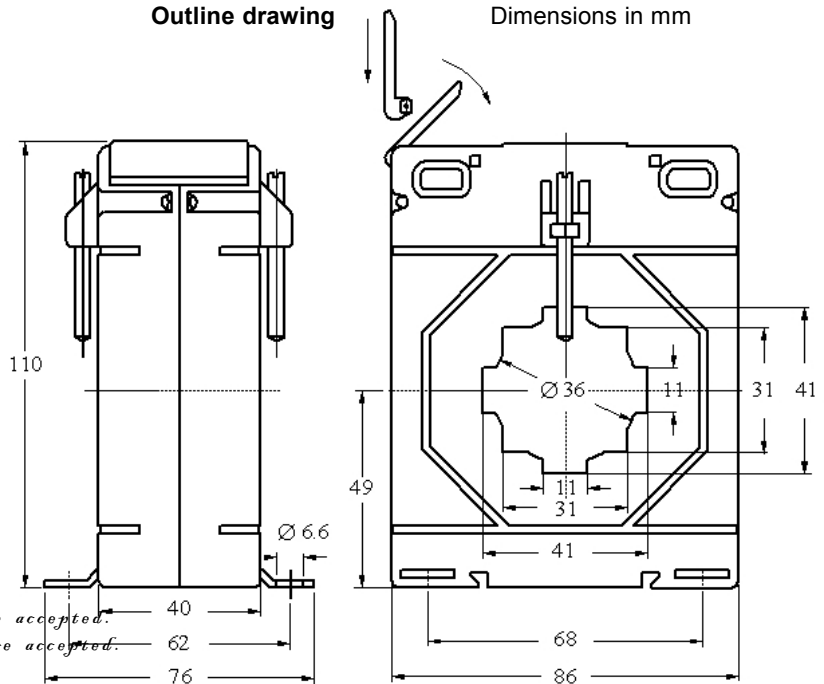
**CTC 86/40H 500A 0...20 mA Cl. 0.5**

### Note:

On request orders for types different from table are accepted.  
 On request order for clip for DIN EN 50 022 rail are accepted.  
 Cat. No. 12-3044-94.

### Outline drawing

Dimensions in mm



Weight: 510-620 gr