

SCT 166/125

For currents from 500 A to 2500 A
 Type: split core The current transformers are made
 Standards: acc. to BS 3938, EN 60044-1

Technical data:

Class of accuracy: 1 ... 3 (see table)
Rated burden: max. 30 VA (see table)
Rated voltage: 720 V
Rated frequency: 50-60 Hz
Rated sec. current: 5 A (or 1 A on request)
Security factor: **FS 5** FS10
Working temperature range: -20 ... +45°C
High voltage test: 4 kV_{eff}, 50 Hz, 1 min
Insulation class: E (max. 120°C)
Protection: IP 00
Case: non-flammable plastic, UL 94 V-0



Rated primary current I_n	Acc. cl.	Type: SCT 166/125						
		Busbar hole 127x62 mm (see fig.)						
		Rated burden (VA)						
		1,5	2,5	5	7,5	10	15	20
500 A	1		x					
	3			x				
600 A	1		x		x			
	3			x				
800 A	1			x				
	3					x		
1000 A	1			x		x		
	3						x	
1200 A	1			x		x	x	
	3							x
1250 A	1			x		x	x	
	3							x

Rated primary current I_n	Acc. cl.	Type: SCT 166/125				
		Busbar hole 127x62 mm (see fig.)				
		Rated burden (VA)				
		5	10	15	20	30
1500 A	1	x	x	x		
	3				x	
1600 A	1	x	x	x	x	
	3				x	
2000 A	1	x	x	x	x	
	3					x
2500 A	1	x	x	x		x
	3					

Outline drawing

Dimensions in mm

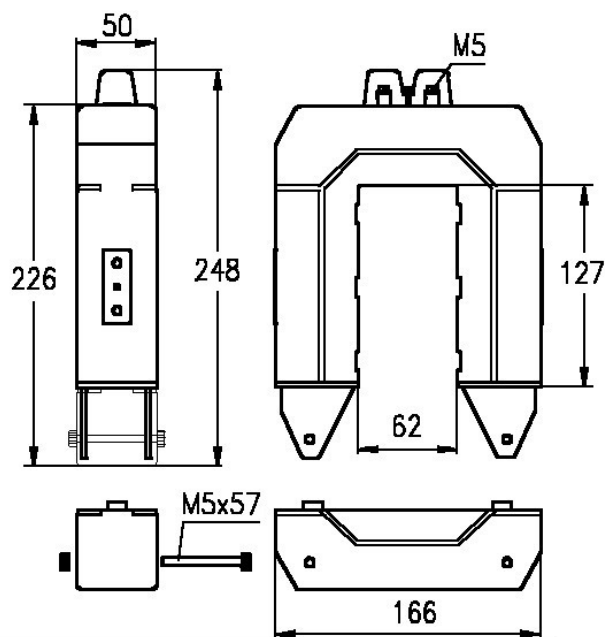
Order specification:

- Split core current transformer
- Class of accuracy: 1
- Rated primary current: 2500 A
- Rated secondary current: 5 A
- Rated burden: 15 VA
- Busbar dimension: 2x120x10 mm

SCT 166/125 2500/5 A Cl. 1 15VA

Note:

On request orders for types different from table are accepted.



Weight: 1500-1800 gr