



SCTC 140/80H

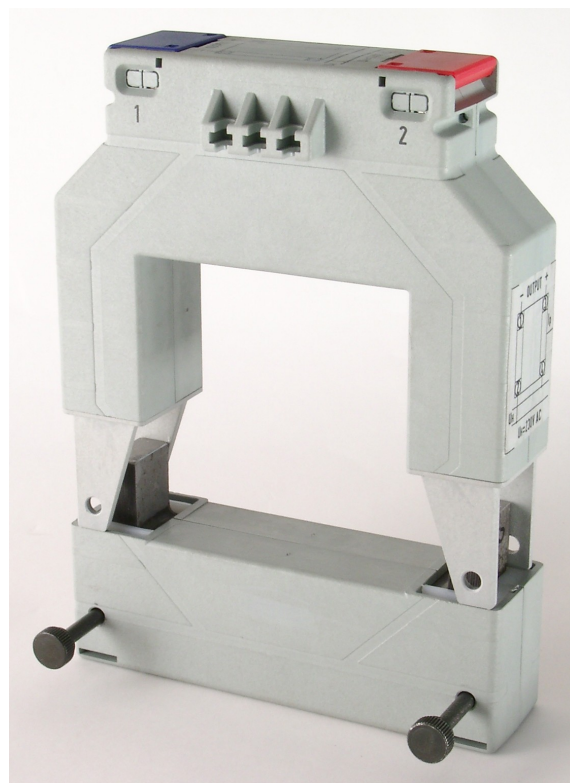
Combined split core current transformer and electronic transducer. The two components are built into the same case. The C.T. provides a galvanic isolation between the supply, the input and the output.

Technical data:

Class of accuracy: 0.5
Input: 250...1600 A AC
Rated voltage: 720 V.
Output (DC): 20 mA, 4...20 mA 10 V
Rated burden:

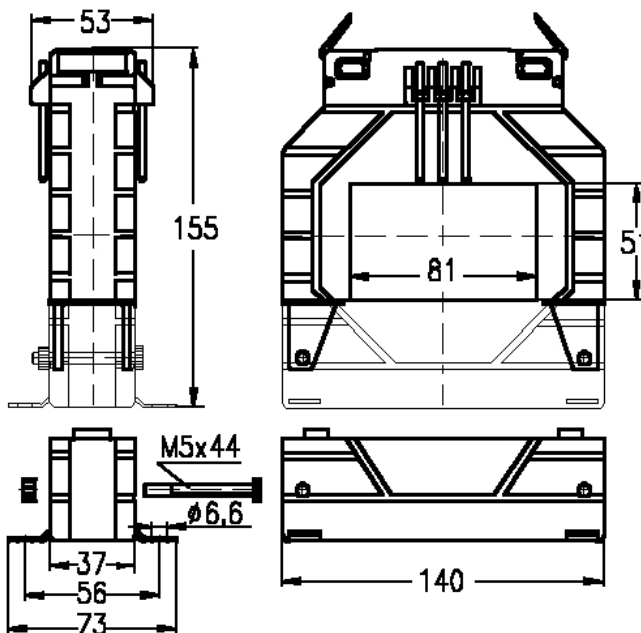
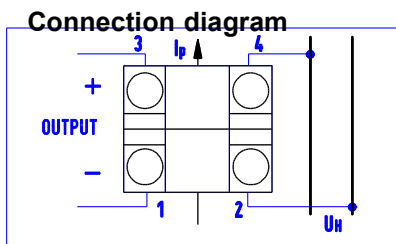
$R_L = 0 \dots 200 \Omega$	$R_L > 2 \text{ k}$
----------------------------	---------------------

Mains: 230 V \pm 10 %
Rated frequency: 50-60 Hz.
Working temperature range: 0 ... +45°C.
High voltage test: 4 kV_{eff}, 50 Hz, 1 min.
Insulation class: E (max. 120°C)
Protection: IP 00.
Case: non-flammable plastic, UL 94 V-0.



SCTC 140/80H					
INPUT	OUTPUT	INPUT	OUTPUT	INPUT	OUTPUT
250 A	4 ... 20 mA	600 A	4 ... 20 mA	1200 A	4 ... 20 mA
	0 ... 20 mA		0 ... 20 mA		0 ... 20 mA
	0 ... 10 V		0 ... 10 V		0 ... 10 V
300 A	4 ... 20 mA	750 A	4 ... 20 mA	1250 A	4 ... 20 mA
	0 ... 20 mA		0 ... 20 mA		0 ... 20 mA
	0 ... 10 V		0 ... 10 V		0 ... 10 V
400 A	4 ... 20 mA	800 A	4 ... 20 mA	1500 A	4 ... 20 mA
	0 ... 20 mA		0 ... 20 mA		0 ... 20 mA
	0 ... 10 V		0 ... 10 V		0 ... 10 V
500 A	4 ... 20 mA	1000 A	4 ... 20 mA	1600 A	4 ... 20 mA
	0 ... 20 mA		0 ... 20 mA		0 ... 20 mA
	0 ... 10 V		0 ... 10 V		0 ... 10 V

Outline drawing
Dimension in mm.



Order specification:

Split core AC current transformer with transducer
 Input current: 800 A
 Output: 4...20 mA
 Class of accuracy: 0.5

SCTC 140/80H 800 A 4...20 mA Cl. 0.5

Note:
On request orders for types different from table are accepted.

Weight: 950...1150gr