

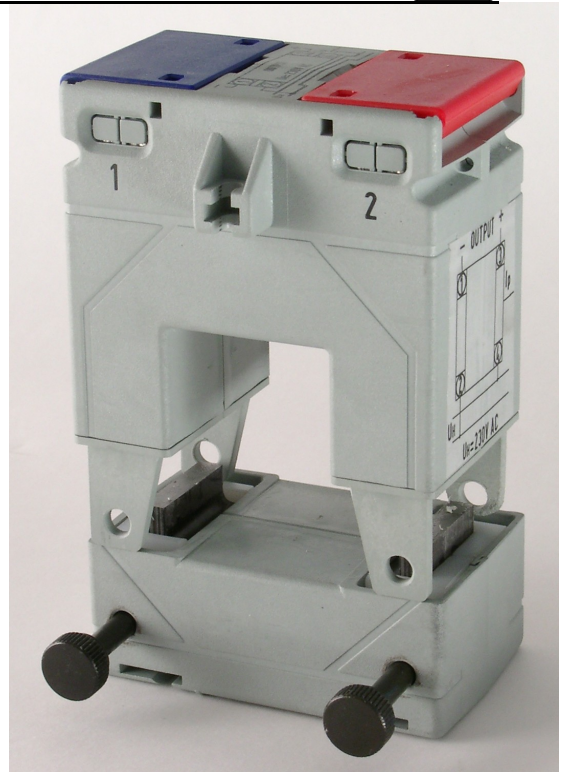


SCTC 74/30H

Combined split core current transformer and electronic transducer.
The two components are built into the same case.
The C.T. provides a galvanic isolation between the supply, the input and the output.

Technical data:

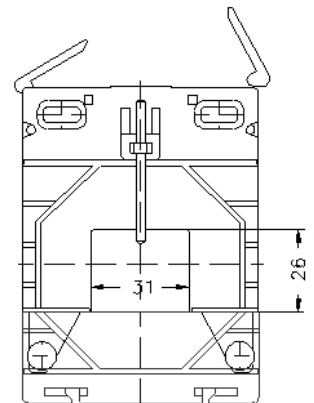
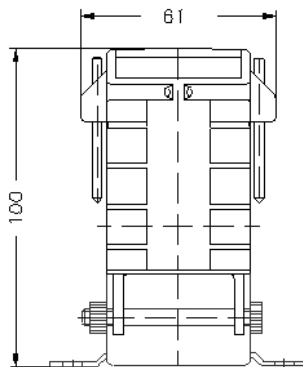
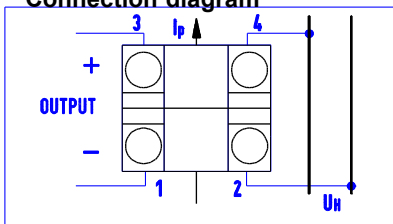
Class of accuracy:	0.5
Input:	25...200 A AC
Rated voltage:	720 V.
Output (DC):	20 mA, 4...20 mA 10 V
Rated burden:	$R_L=0...200 \Omega$ $R_L > 2 k$
Mains:	230 V \pm 10 %
Rated frequency:	50-60 Hz.
Working temperature range:	0 ... +45°C.
High voltage test:	4 kV _{eff} , 50 Hz, 1 min.
Insulation class:	E (max. 120°C)
Protection:	IP 00.
Case:	non-flammable plastic, UL 94 V-0.



SCTC 74/30H					
INPUT	OUTPUT	INPUT	OUTPUT	INPUT	OUTPUT
25 A	4 ... 20 mA	60 A	4 ... 20 mA	125 A	4 ... 20 mA
	0 ... 20 mA		0 ... 20 mA		0 ... 20 mA
	0 ... 10 V		0 ... 10 V		0 ... 10 V
30 A	4 ... 20 mA	75 A	4 ... 20 mA	150 A	4 ... 20 mA
	0 ... 20 mA		0 ... 20 mA		0 ... 20 mA
	0 ... 10 V		0 ... 10 V		0 ... 10 V
40 A	4 ... 20 mA	80 A	4 ... 20 mA	200 A	4 ... 20 mA
	0 ... 20 mA		0 ... 20 mA		0 ... 20 mA
	0 ... 10 V		0 ... 10 V		0 ... 10 V
50 A	4 ... 20 mA	100 A	4 ... 20 mA		4 ... 20 mA
	0 ... 20 mA		0 ... 20 mA	0 ... 20 mA	
	0 ... 10 V		0 ... 10 V	0 ... 10 V	

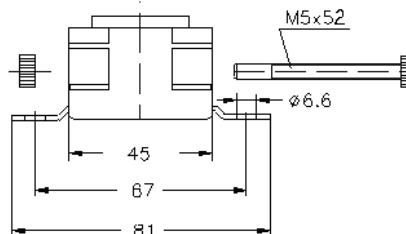
Outline drawing
Dimension in mm.

Connection diagram

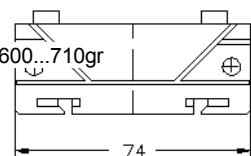


Order specification:

Split core AC current transformer
with transducer
Input current: 100 A
Output: 4...20 mA
Class of accuracy: 0.5



Weight: 600...710gr



SCTC 74/30H 100 A 4...20 mA Cl. 0.5

Note:

On request orders for types different from table are accepted.
On request order for clip for DIN EN 50 022 rail are accepted.
Cat. No. 12-3044-94.